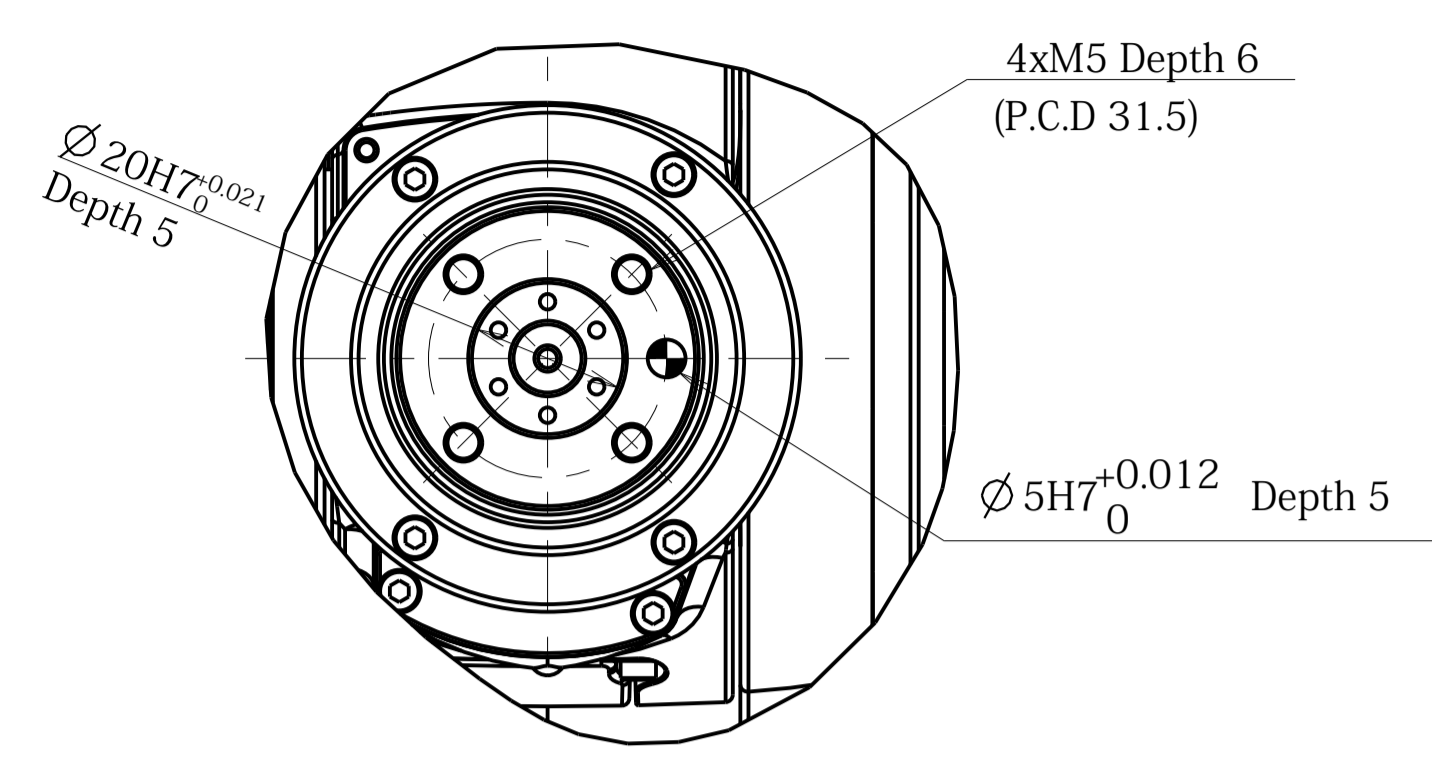
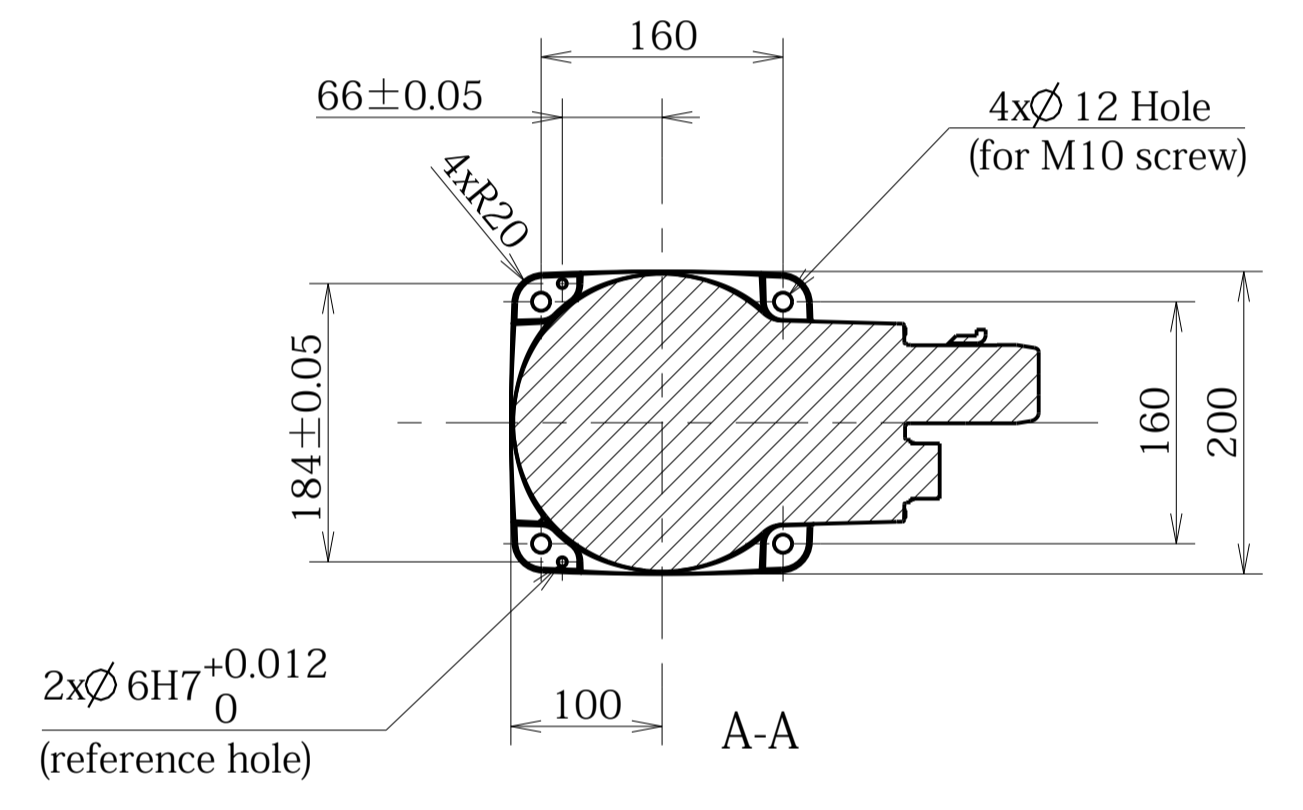


Detailed drawing of end-effector mounting face

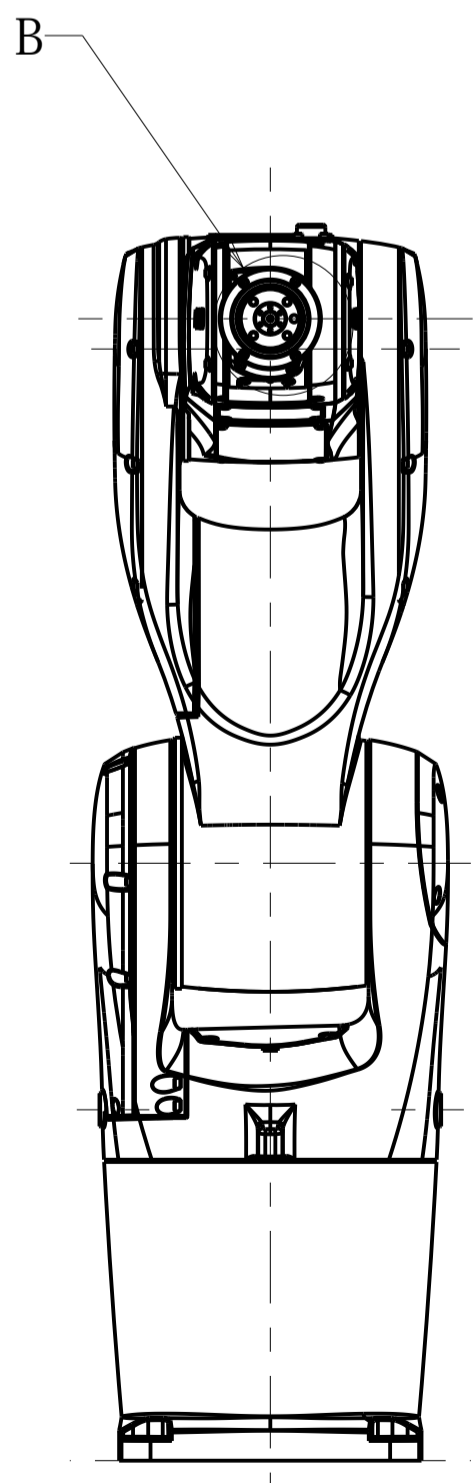
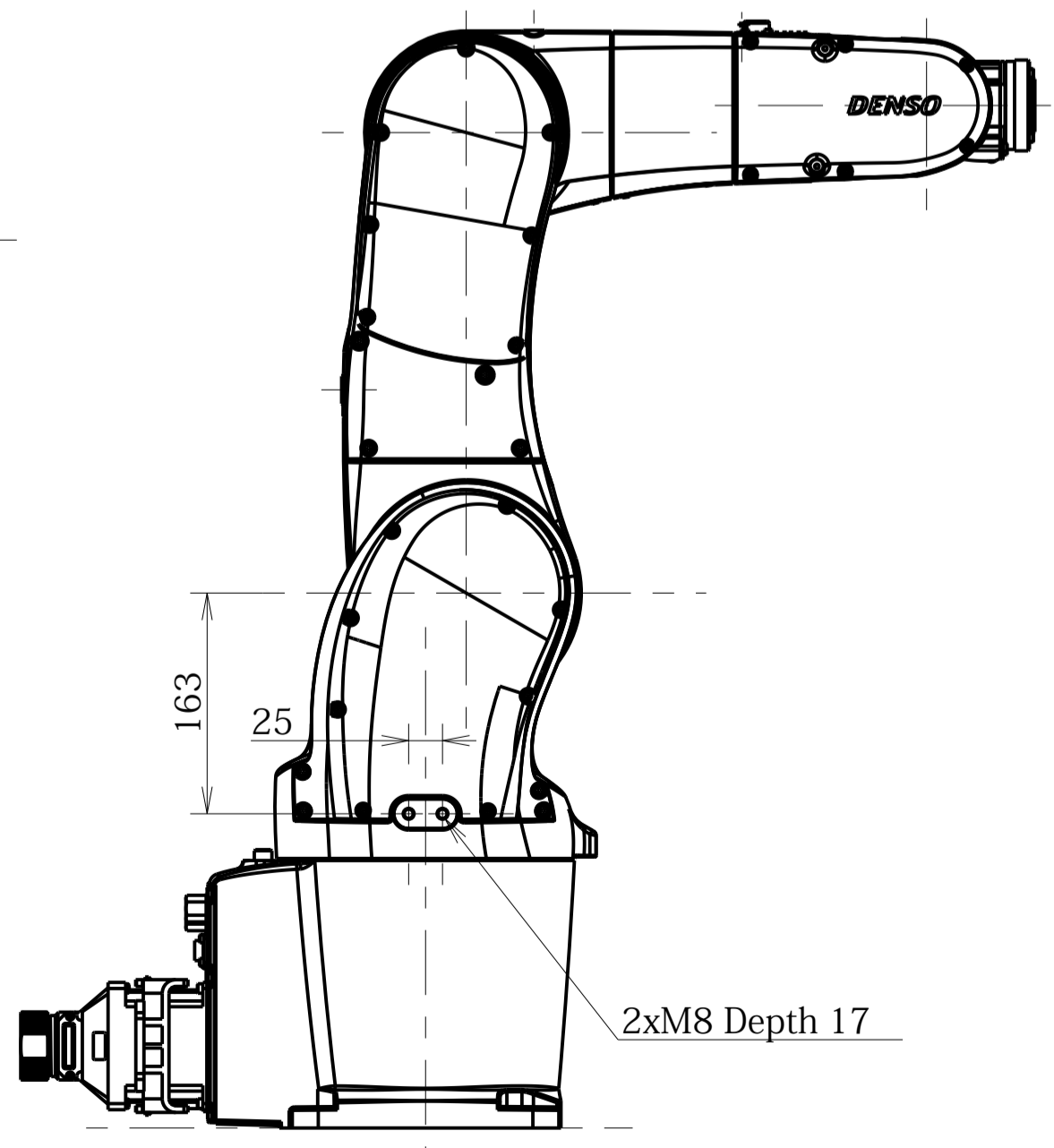
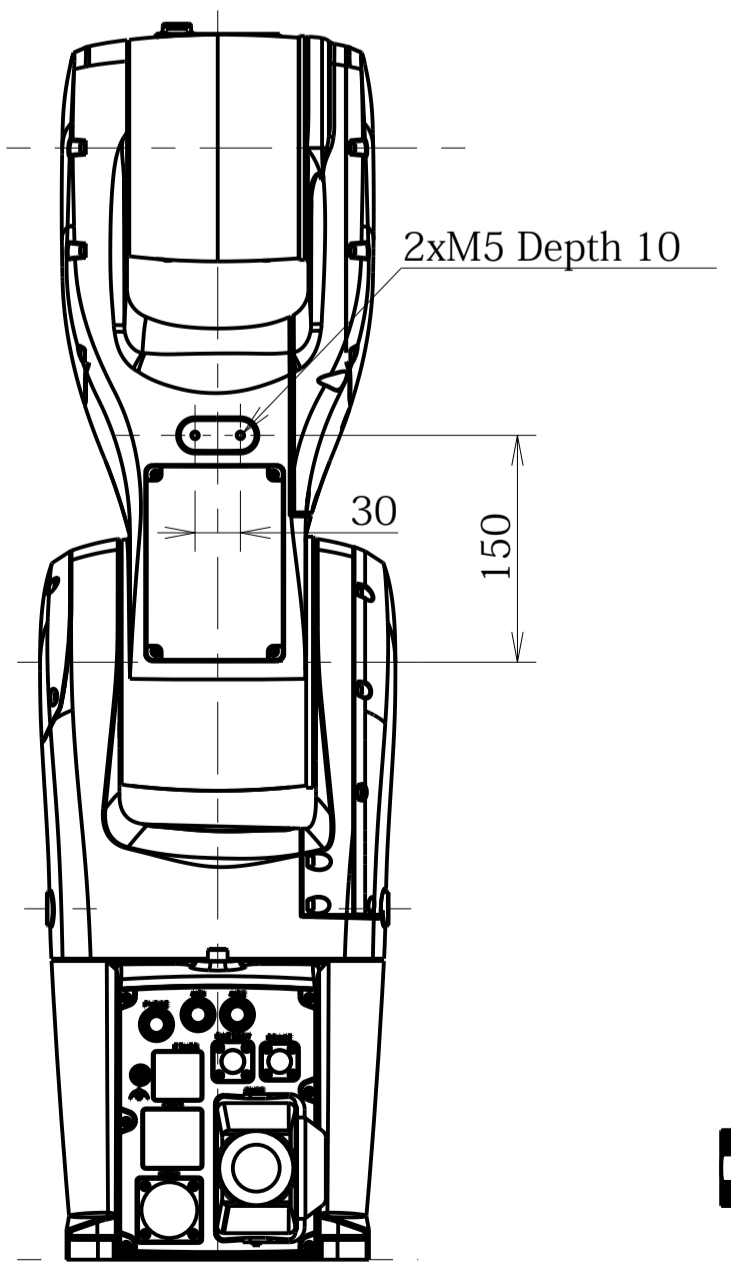
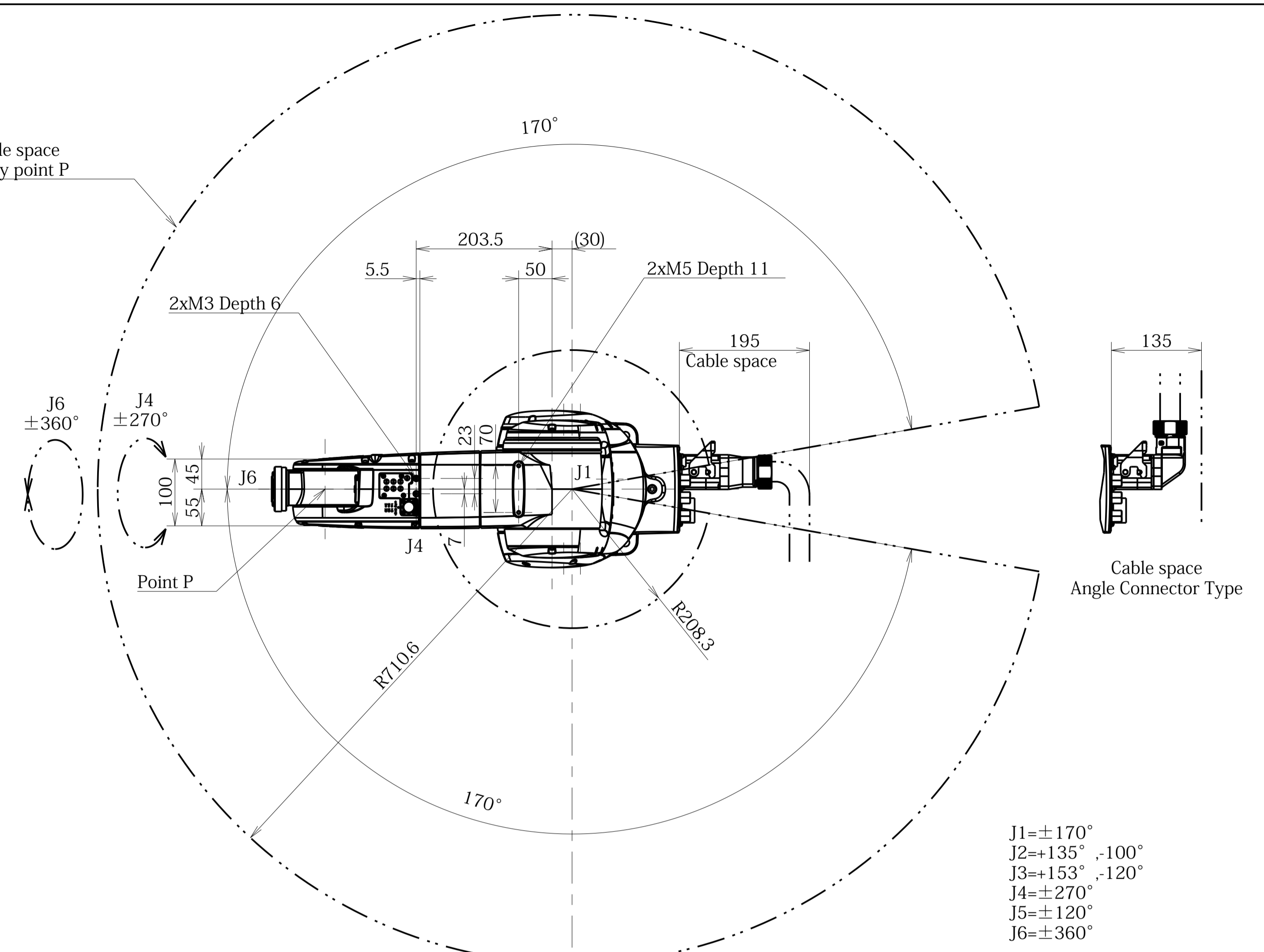


B

Detailed drawing of base mounting face



Workable space
 defined by point P



Workable space
 defined by point P

