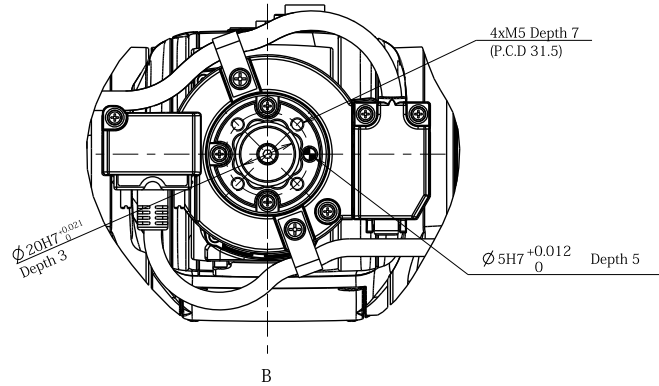
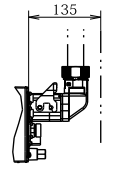
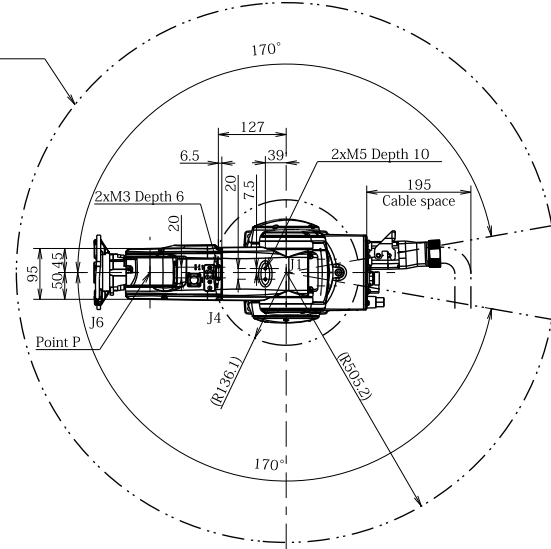
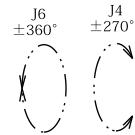


Detailed drawing of end-effector mounting face

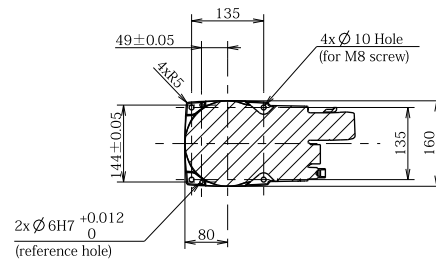


Workable space
defin by point P



Cable space
Angle Connector Type

Detailed drawing of base mounting face



- J1=±170°
- J2=±120°
- J3=+151°, -120°
- J4=±270°
- J5=+120°, -110°
- J6=±360°

