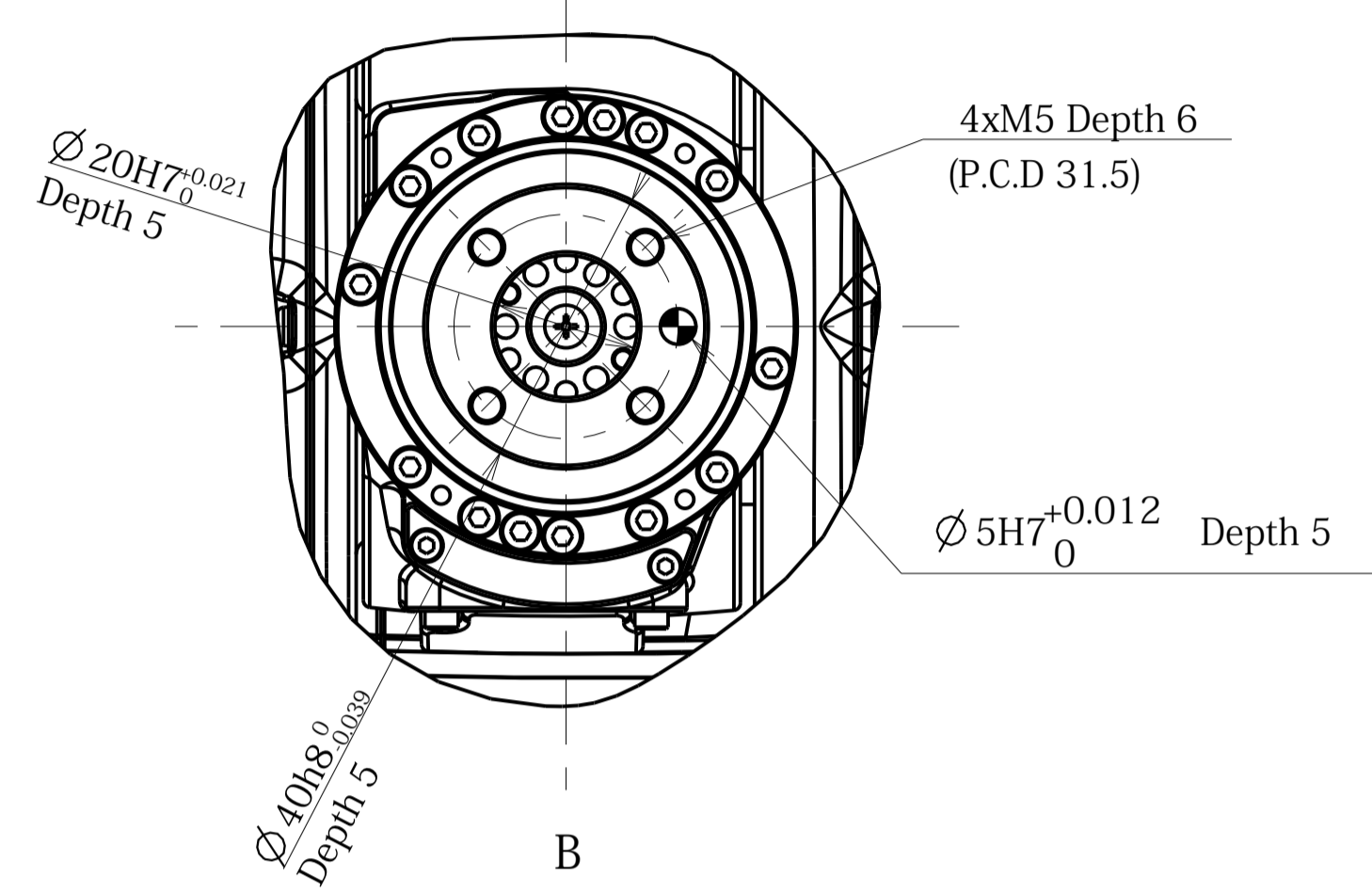
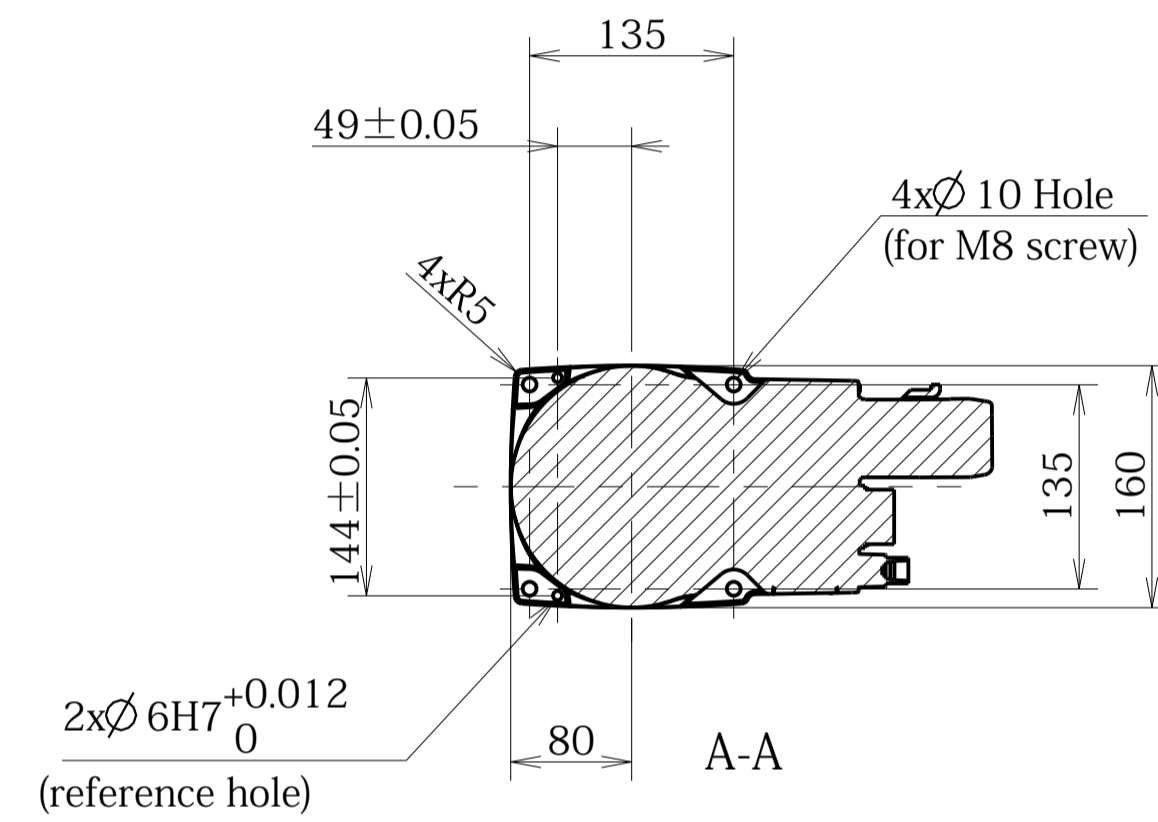


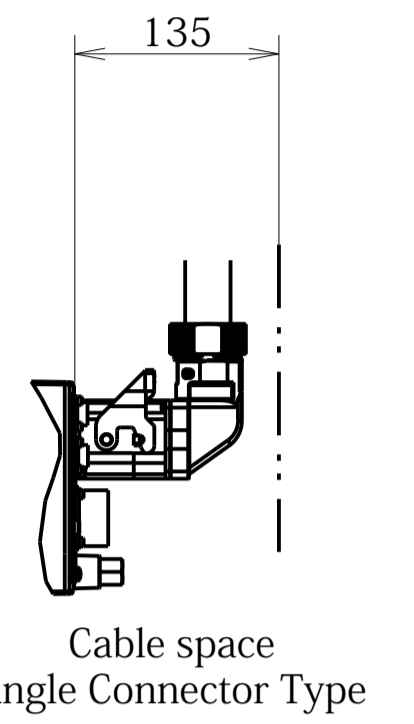
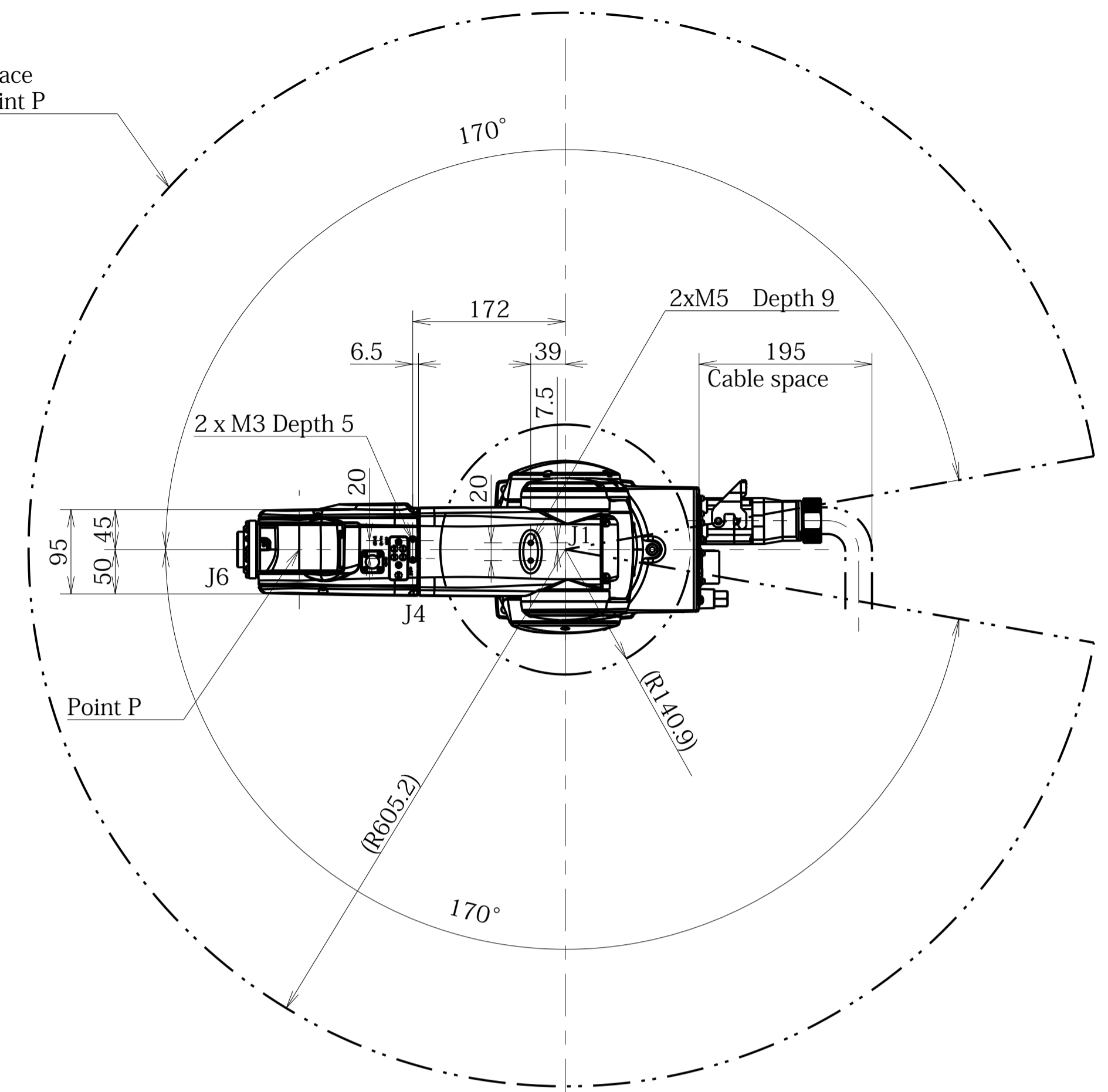
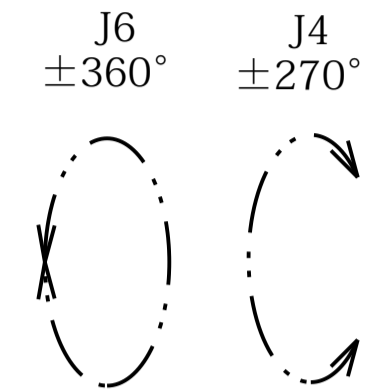
Detailed drawing of end-effector mounting face



Detailed drawing of base mounting face



Workable space
defind by point P



- $J1 = \pm 170^\circ$
- $J2 = \pm 120^\circ$
- $J3 = +155^\circ, -125^\circ$
- $J4 = \pm 270^\circ$
- $J5 = +120^\circ, -120^\circ$
- $J6 = \pm 360^\circ$

