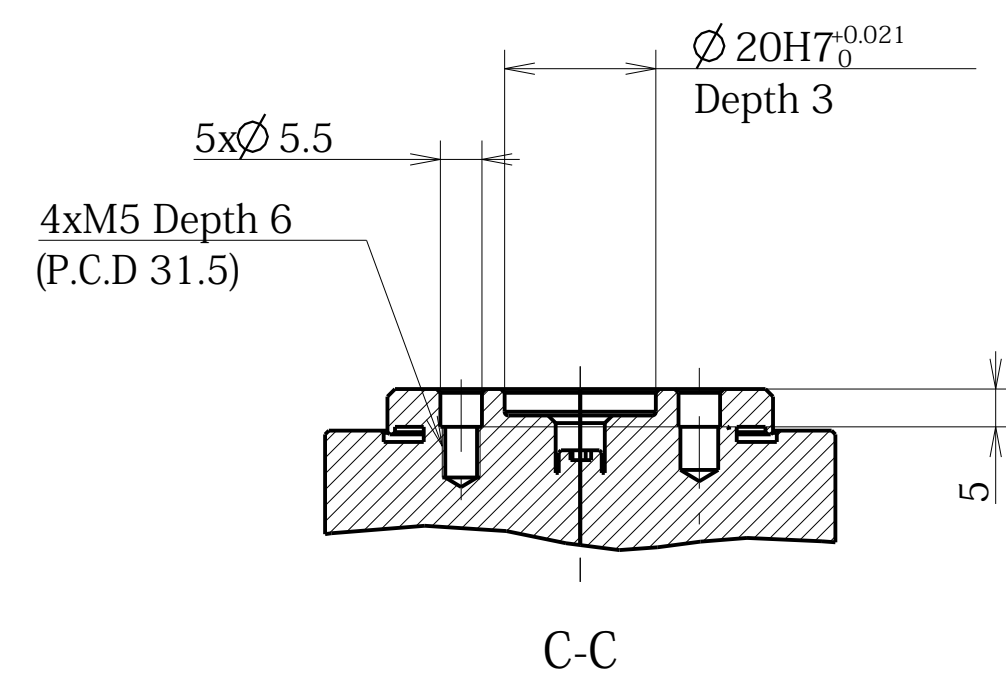
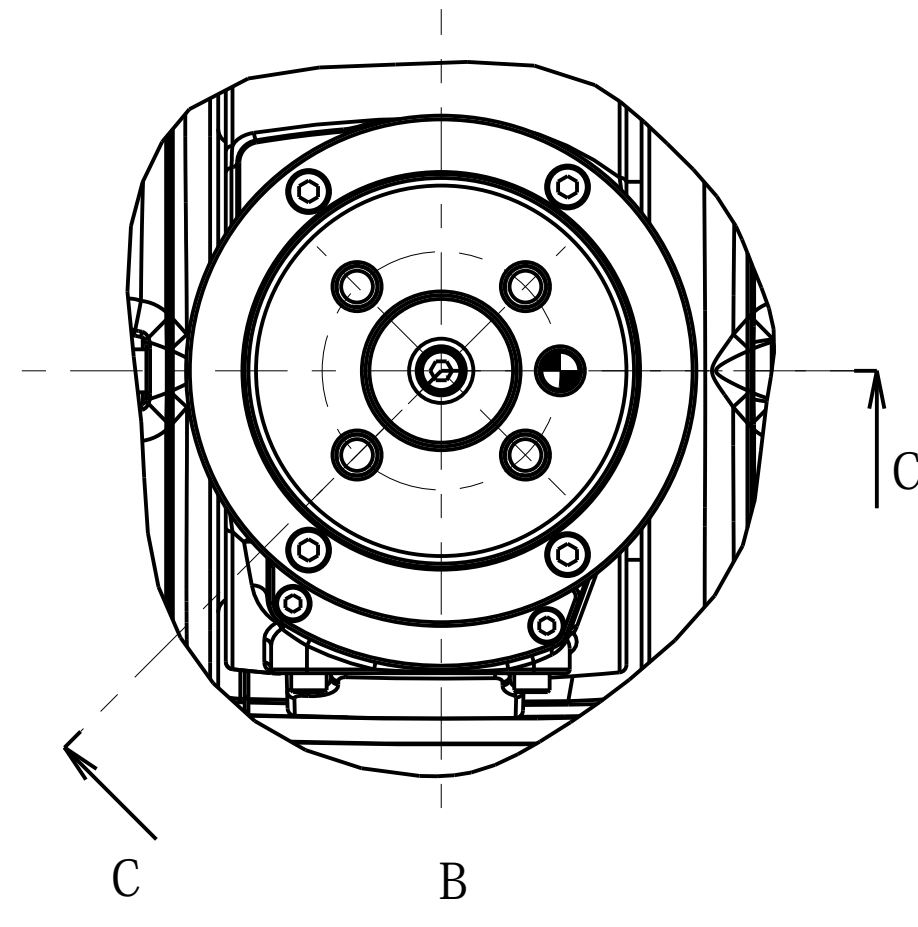
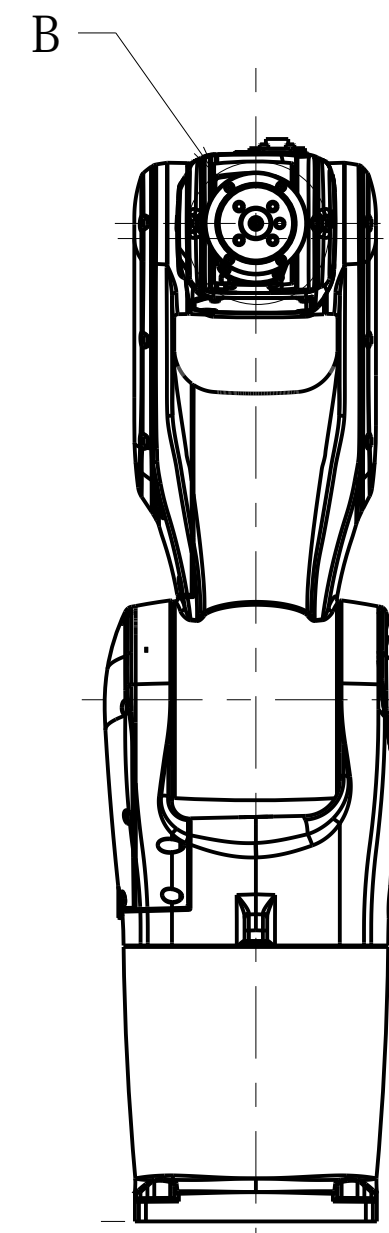
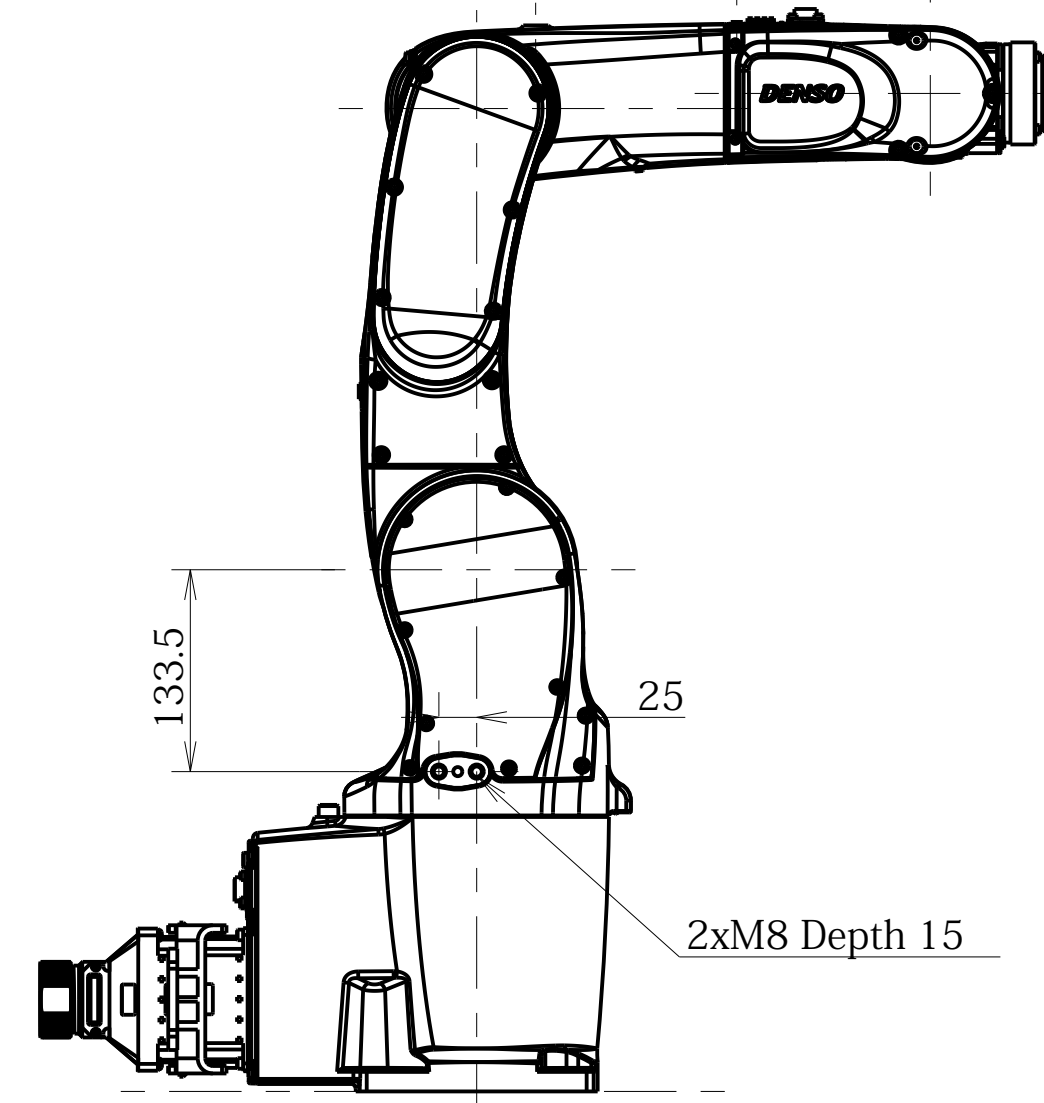
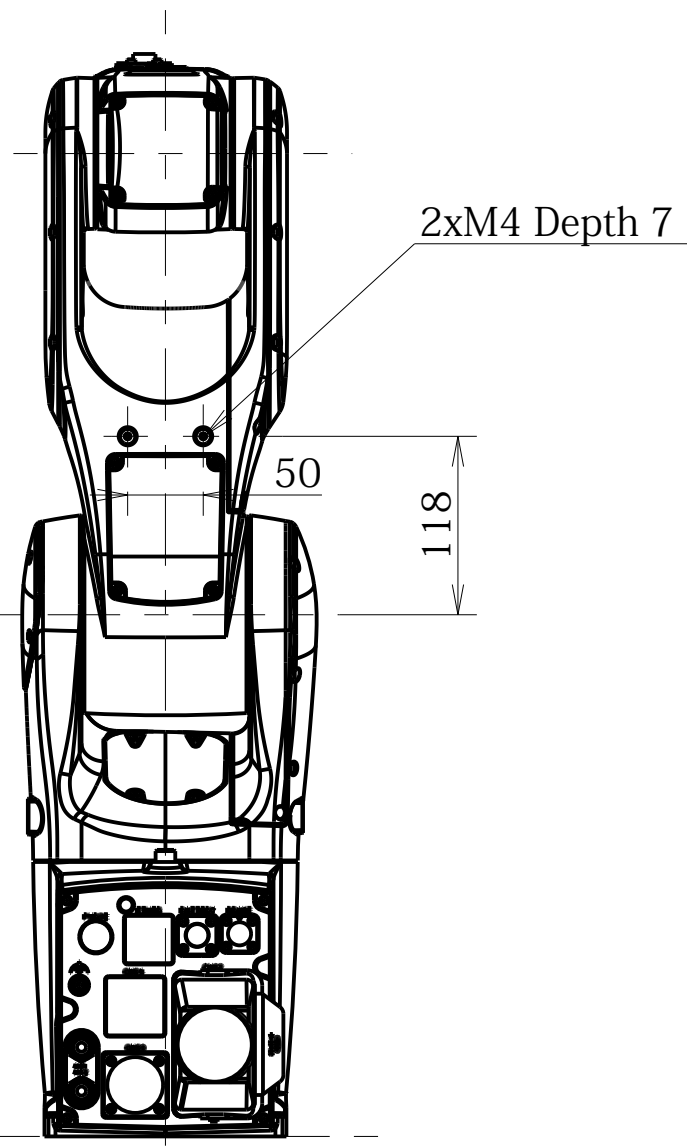
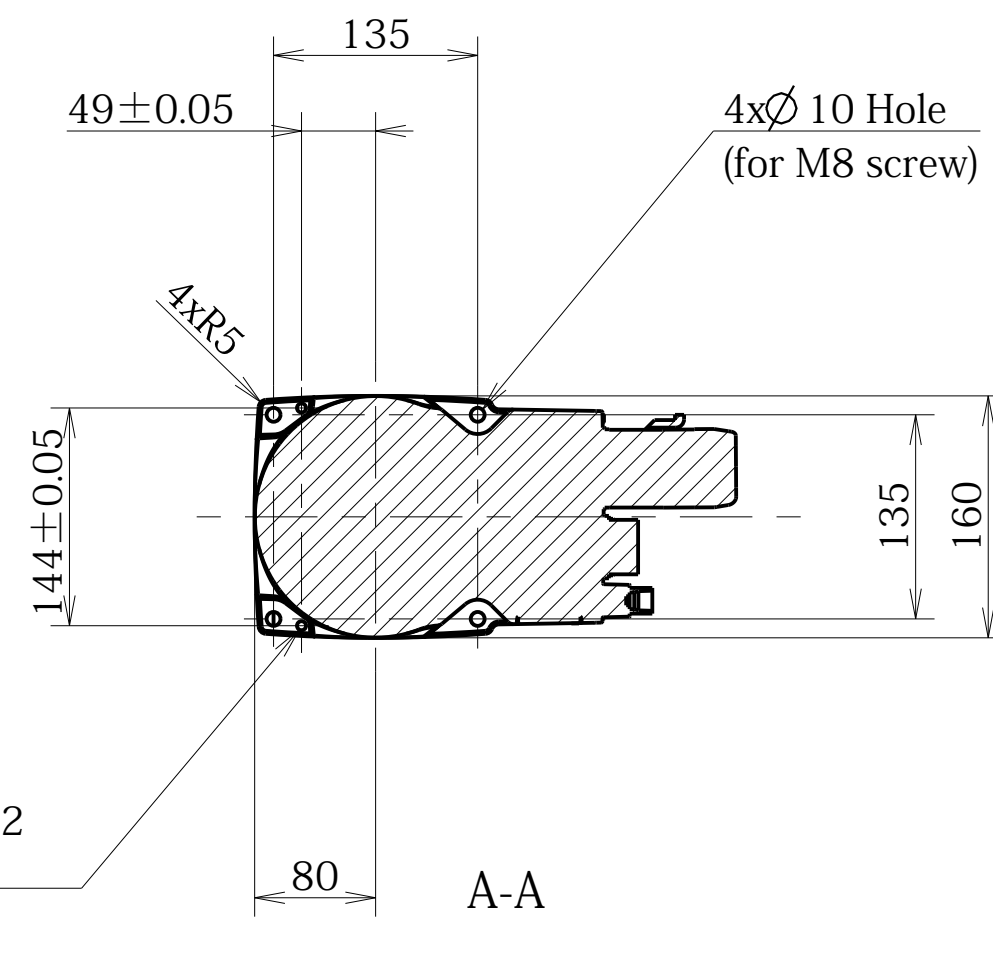


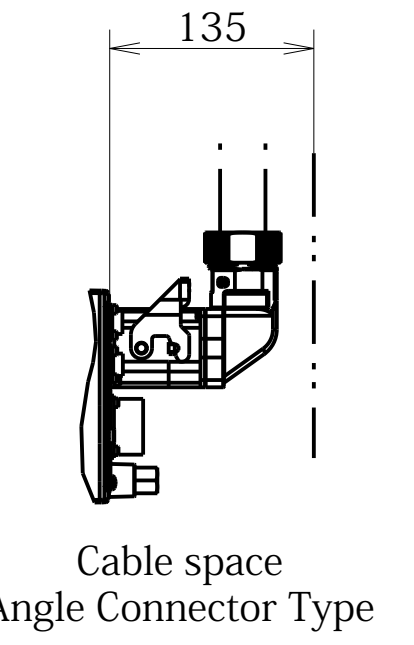
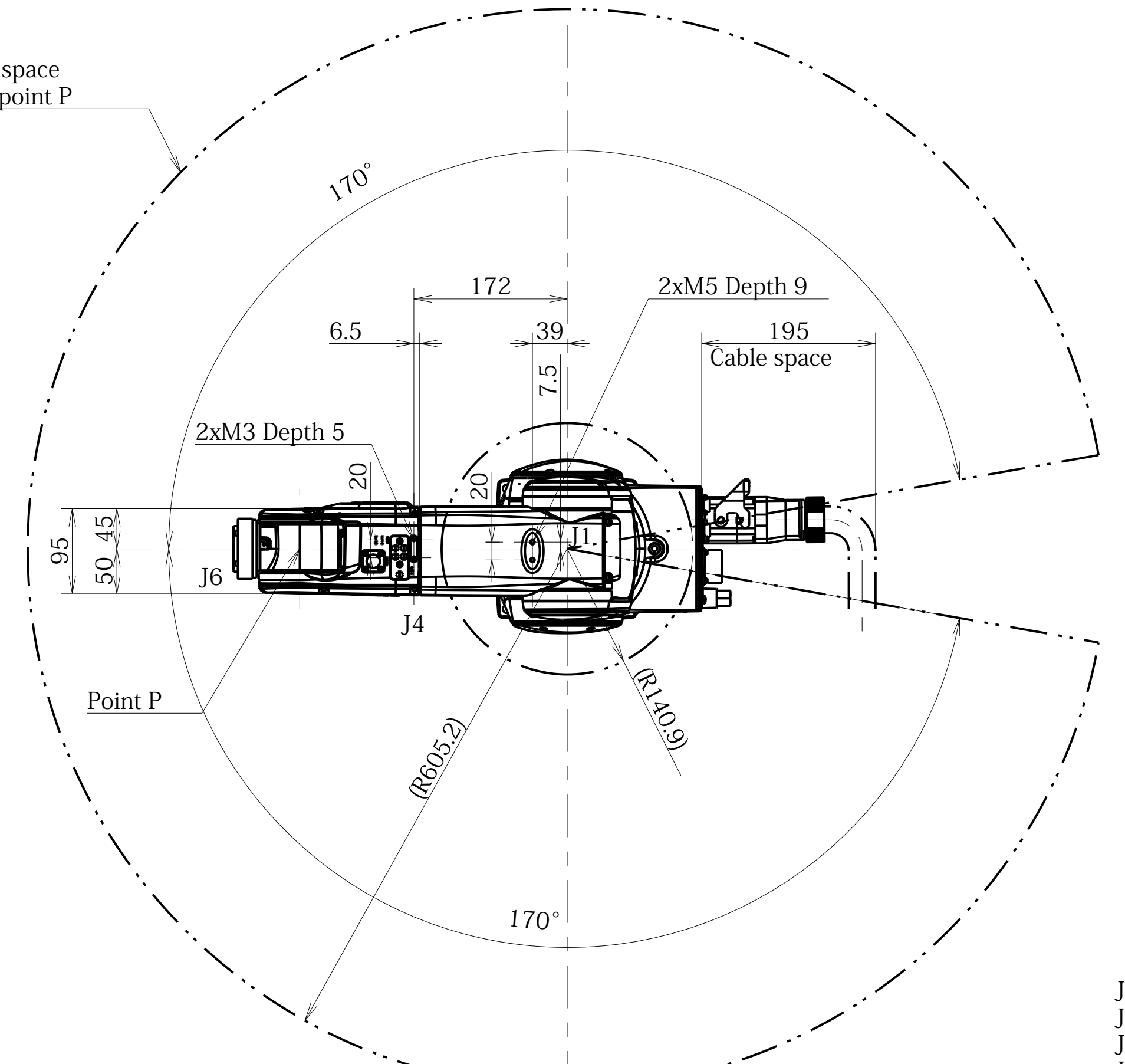
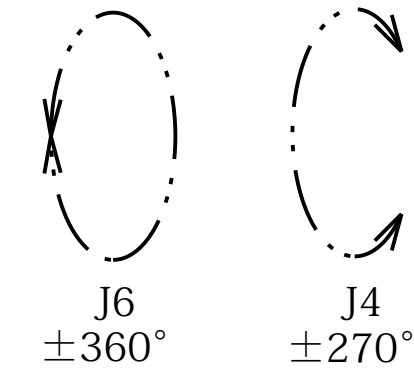
Detailed drawing of end-effector mounting face



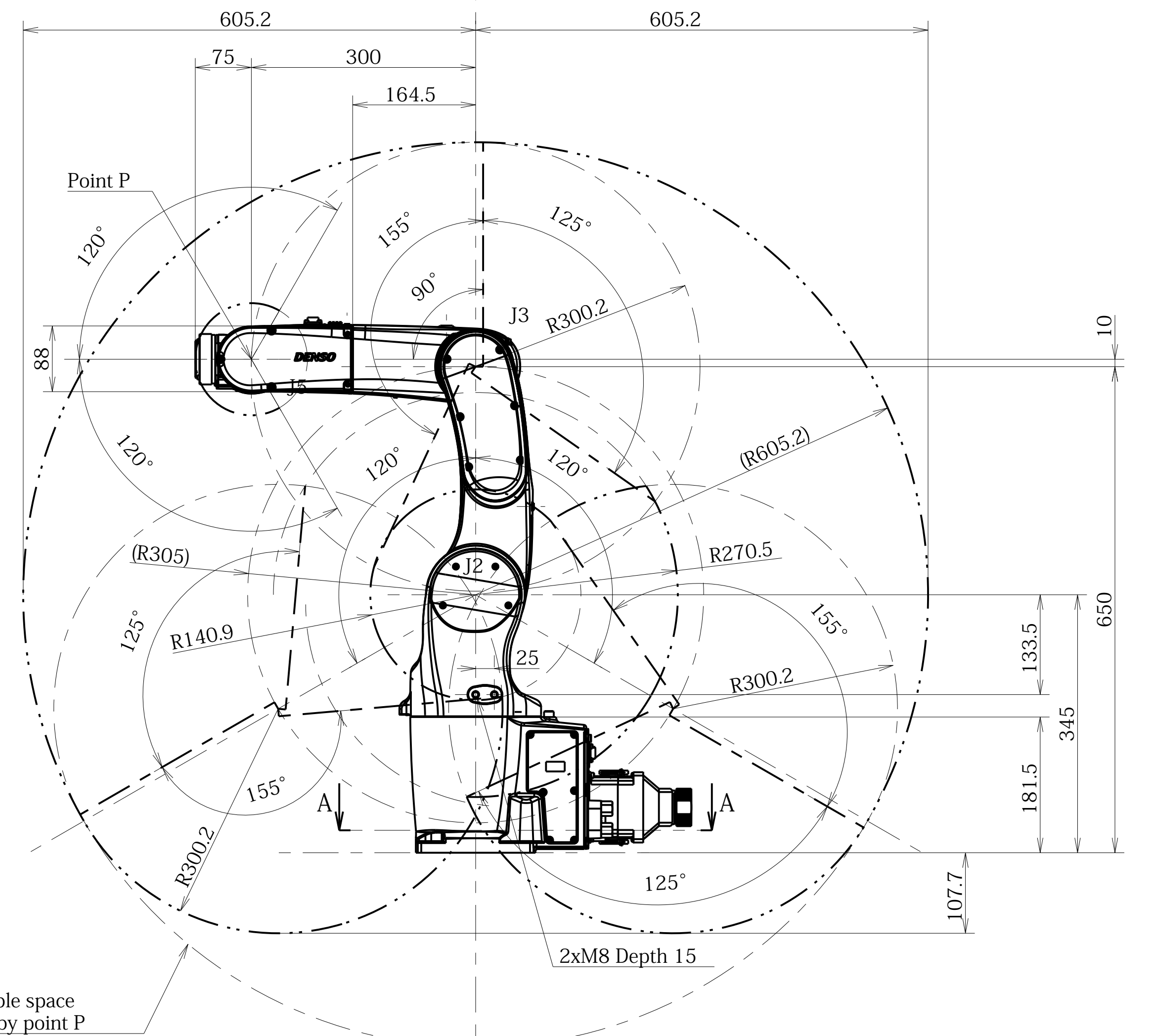
Detailed drawing of base mounting face



Workable space
 defined by point P



- J1=±170°
- J2=±120°
- J3=+155°, -125°
- J4=±270°
- J5=+120°, -120°
- J6=±360°



Workable space
 defined by point P