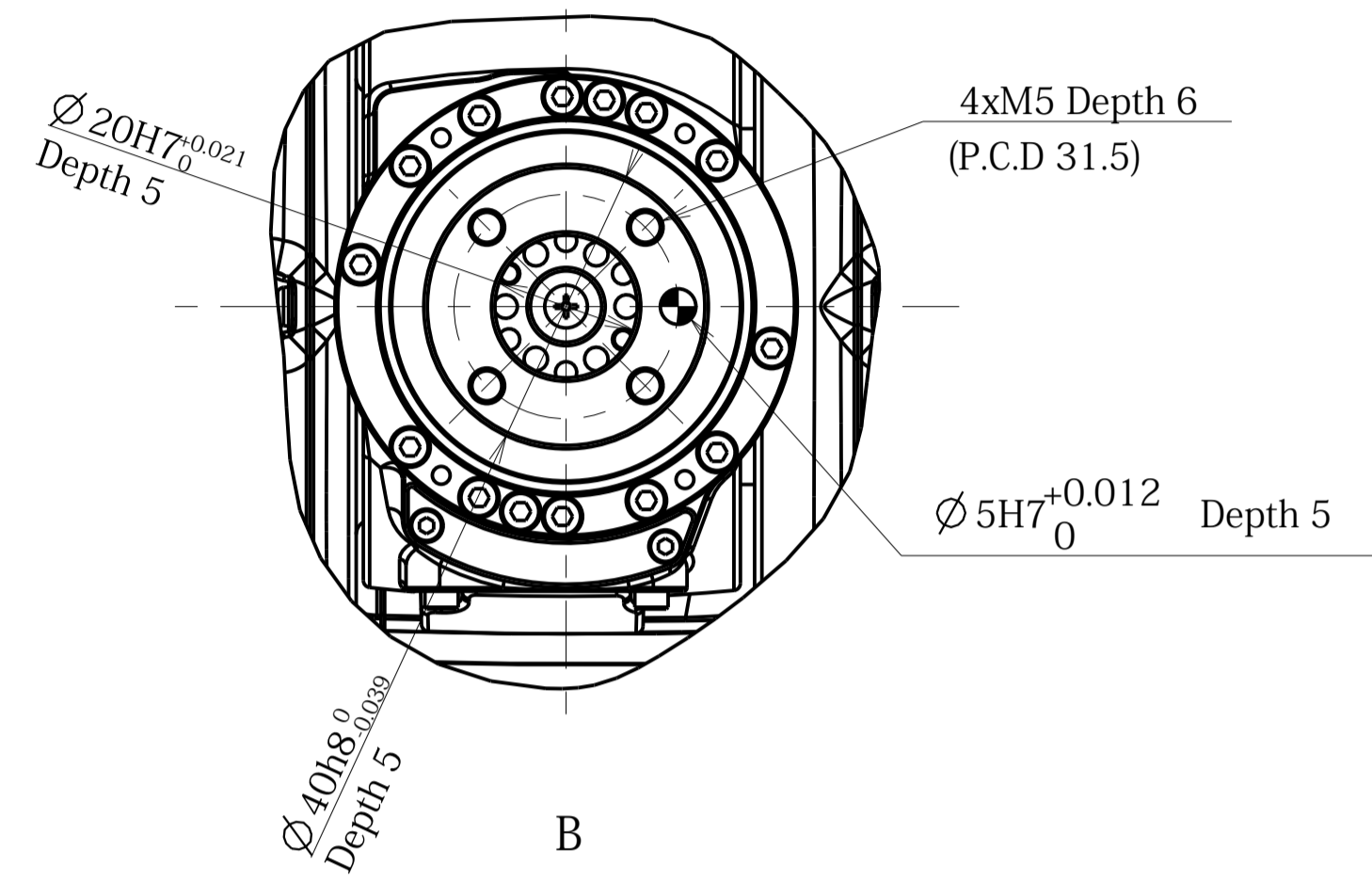
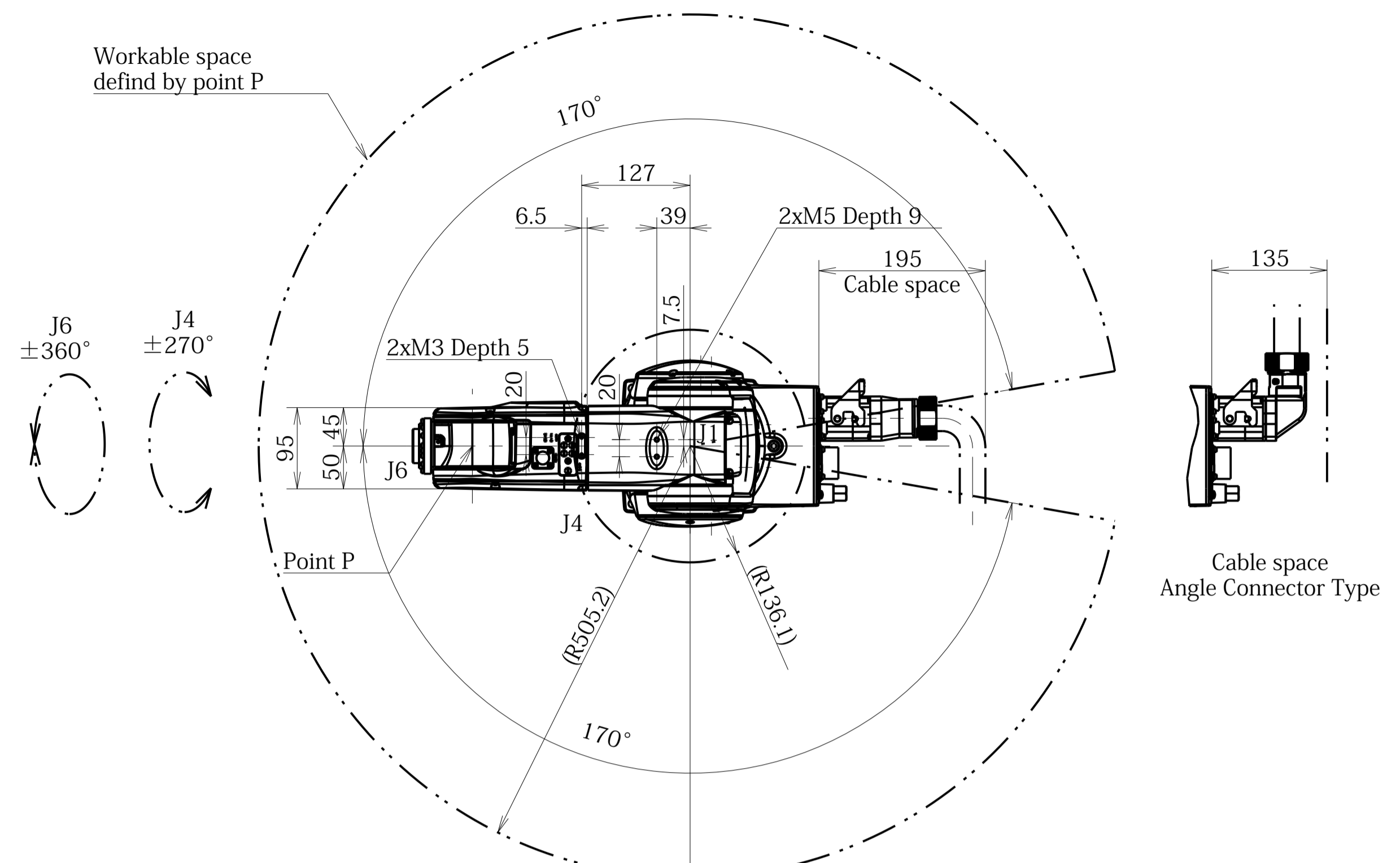
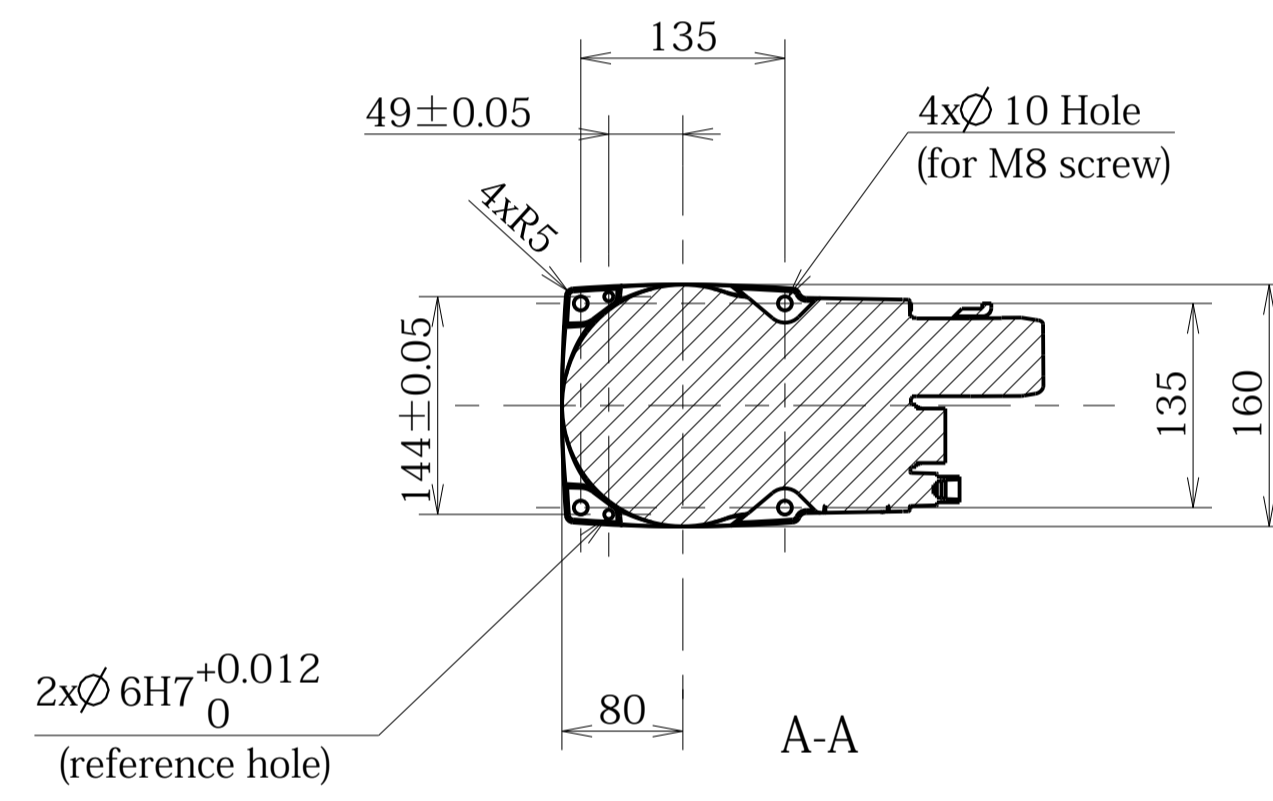


Detailed drawing of end-effector mounting face



Detailed drawing of base mounting face



- J1 = $\pm 170^\circ$
- J2 = $\pm 120^\circ$
- J3 = $151^\circ, -120^\circ$
- J4 = $\pm 270^\circ$
- J5 = $120^\circ, -120^\circ$
- J6 = $\pm 360^\circ$

