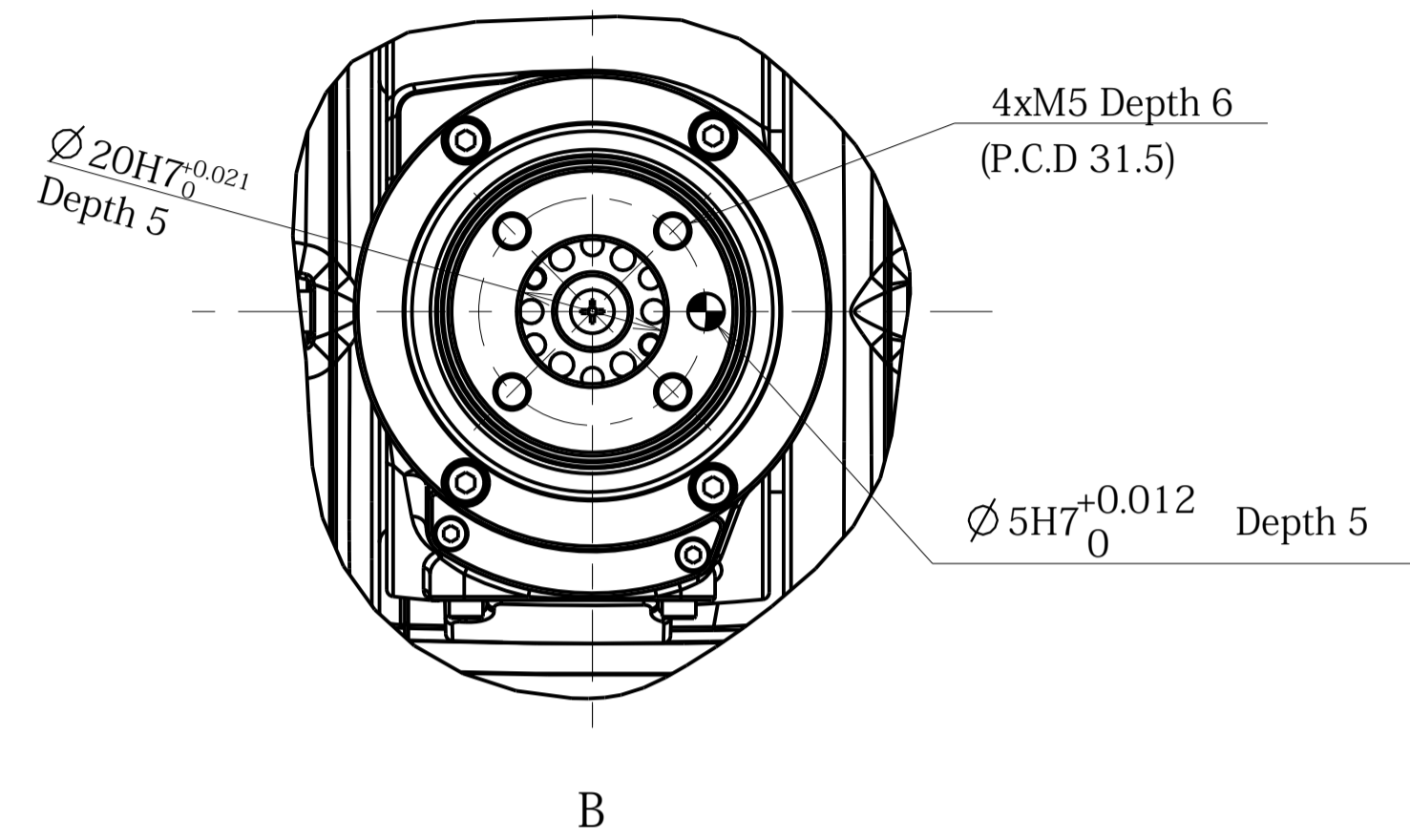
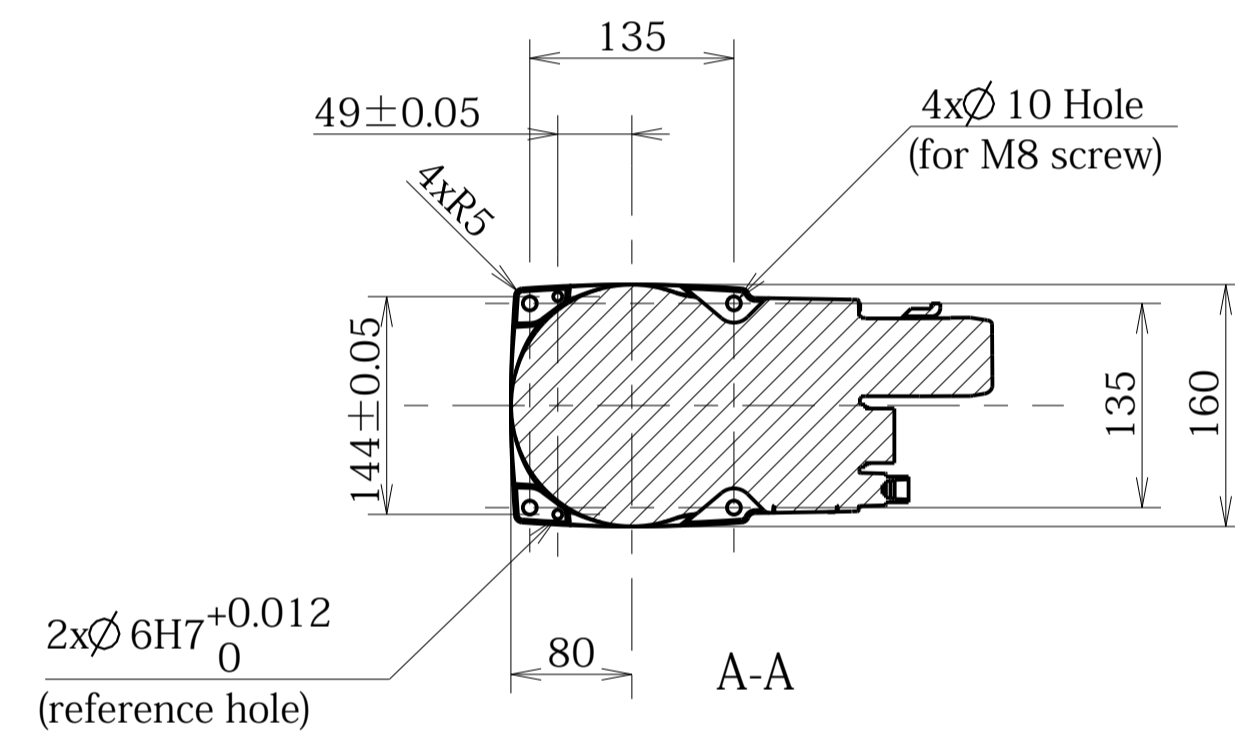


VS-050 (Rear Connector Panel, Standard Flange, Protected type(IP67))
 410590-3330
 VS-050 (Rear Connector Panel, Standard Flange, Dust & Mistproof (IP54(Wrist:IP65)))
 410590-3450

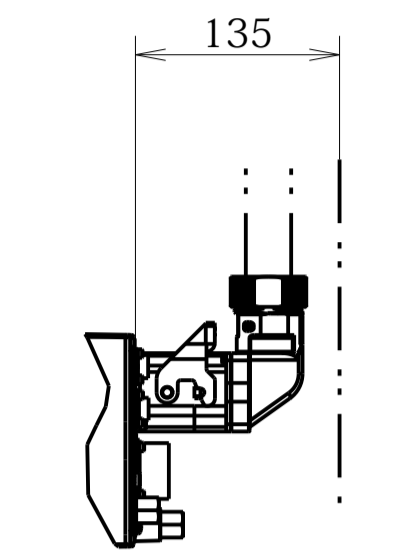
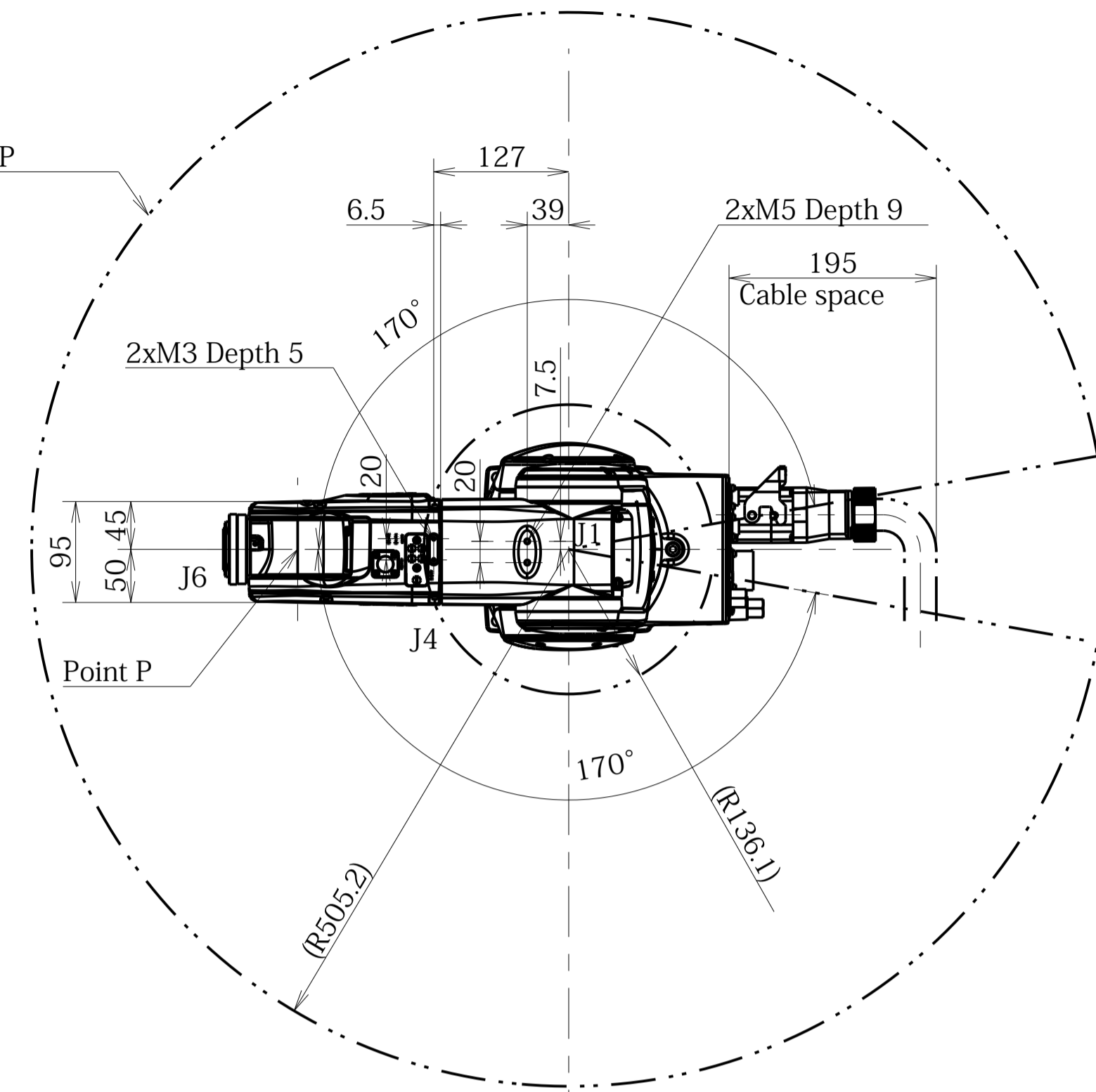
Detailed drawing of end-effector mounting face



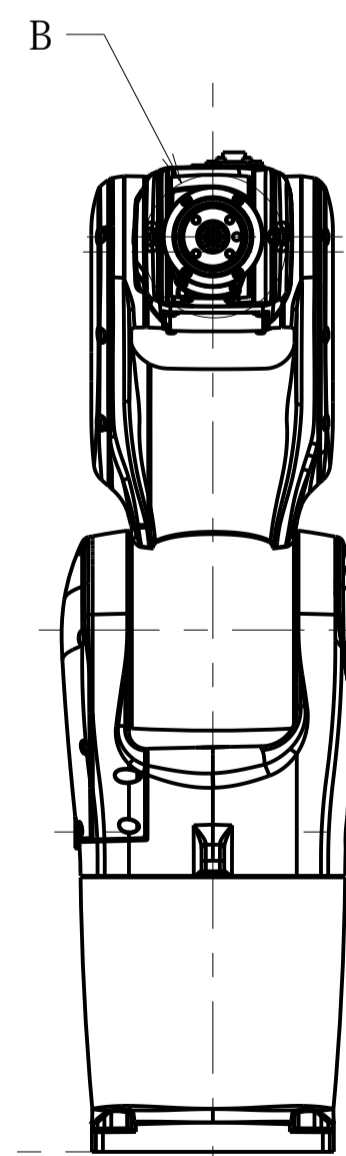
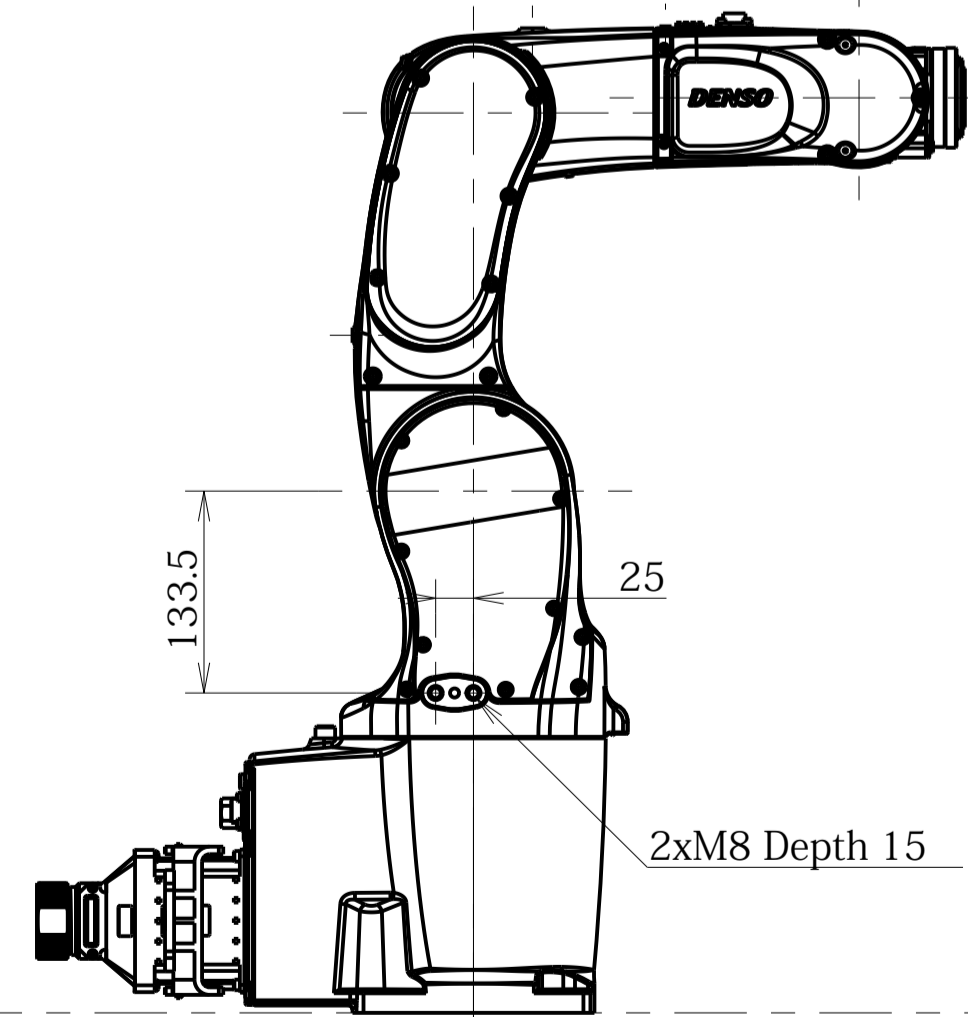
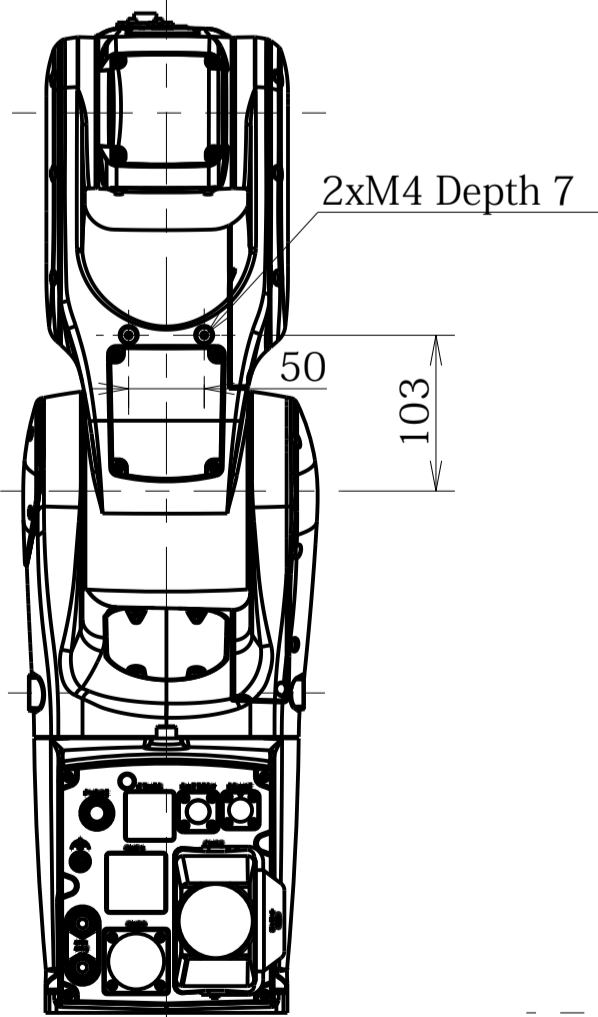
Detailed drawing of base mounting face



Workable space
 definid by point P



- J1=±170°
- J2=±120°
- J3=+151°, -120°
- J4=±270°
- J5=+120°, -120°
- J6=±360°



Workable space
 definid by point P

