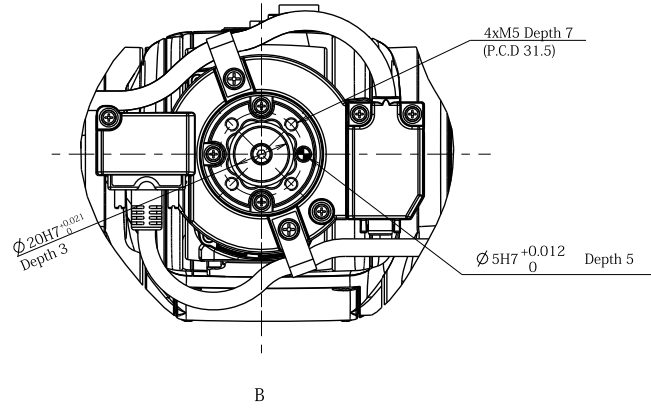
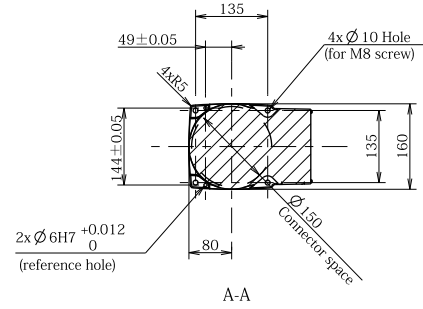


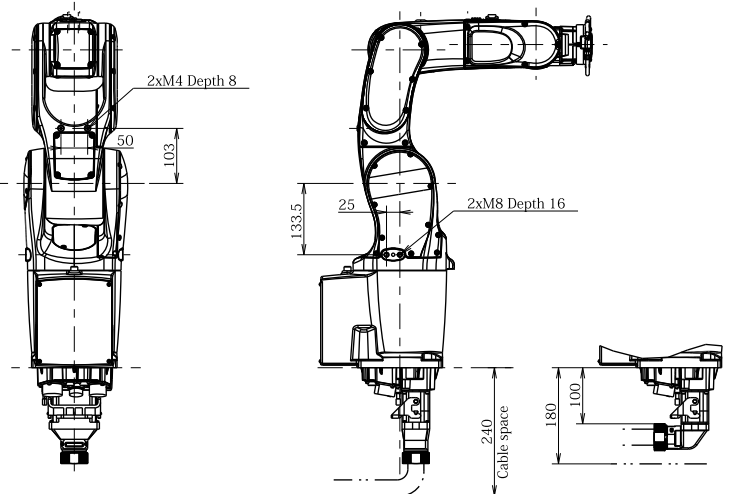
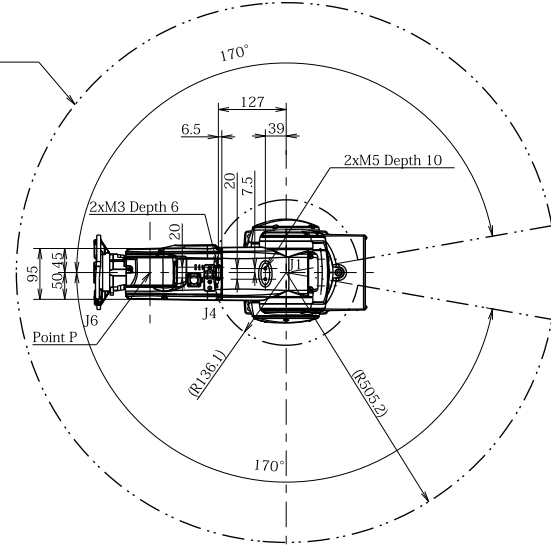
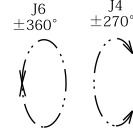
Detailed drawing of end-effector mounting face



Detailed drawing of base mounting face



Workable space
defined by point P



Cable space
Angle Connector Type

J1=±170°
J2=±120°
J3=±151° -120°
J4=±270°
J5=±120° -110°
J6=±360°

