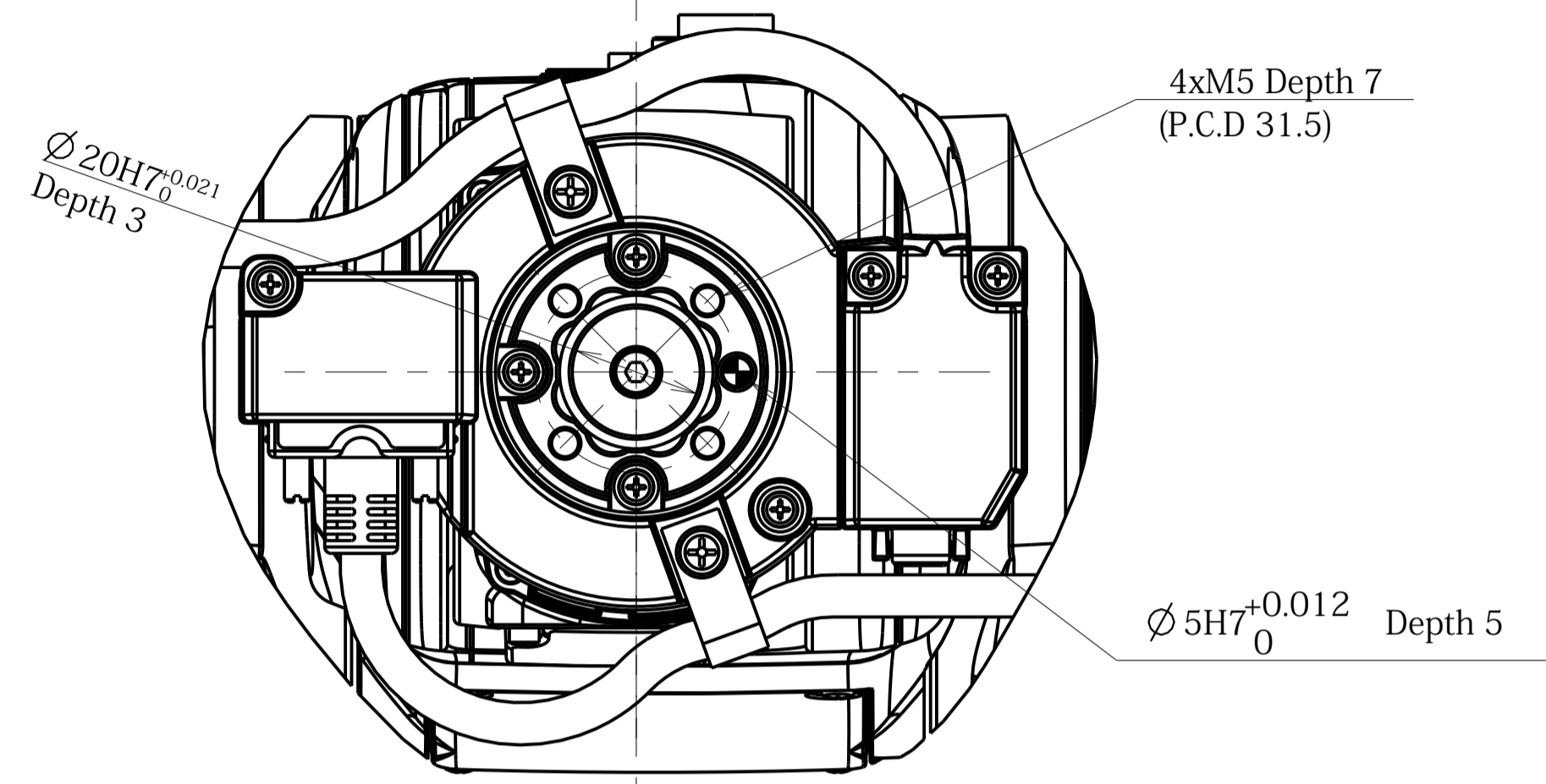
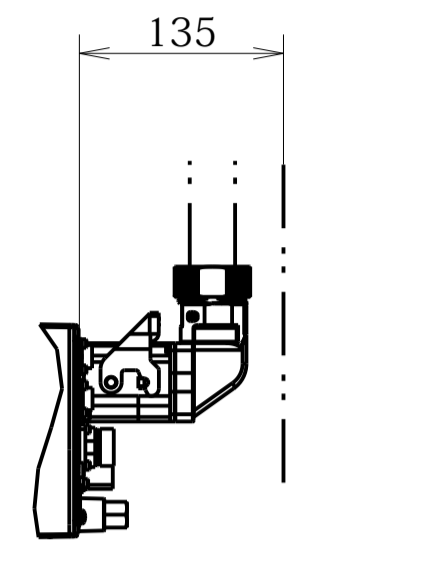
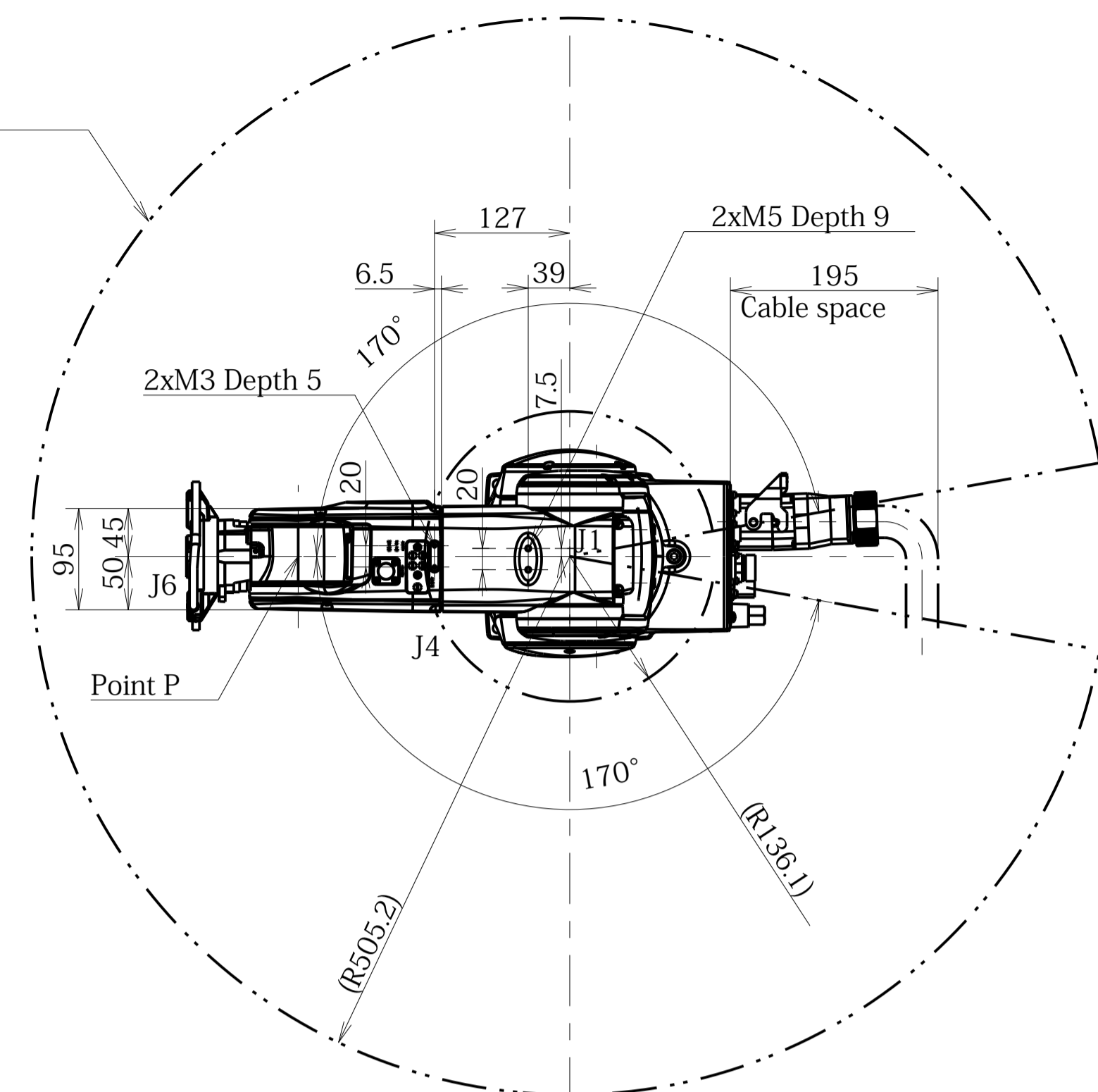


Detailed drawing of end-effector mounting face



B

Workable space
defined by point P



Cable space
Angle Connector Type

- J1 = $\pm 170^\circ$
- J2 = $\pm 120^\circ$
- J3 = $\pm 151^\circ, -120^\circ$
- J4 = $\pm 270^\circ$
- J5 = $\pm 120^\circ, -110^\circ$
- J6 = $\pm 360^\circ$

Detailed drawing of base mounting face

