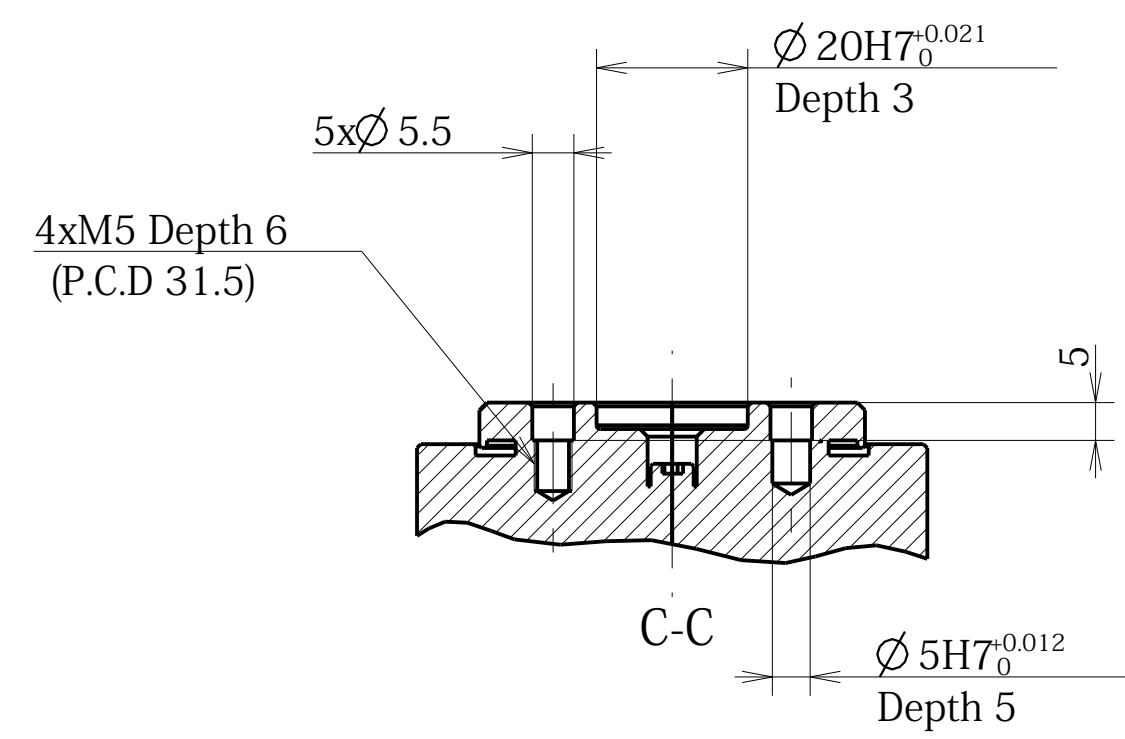
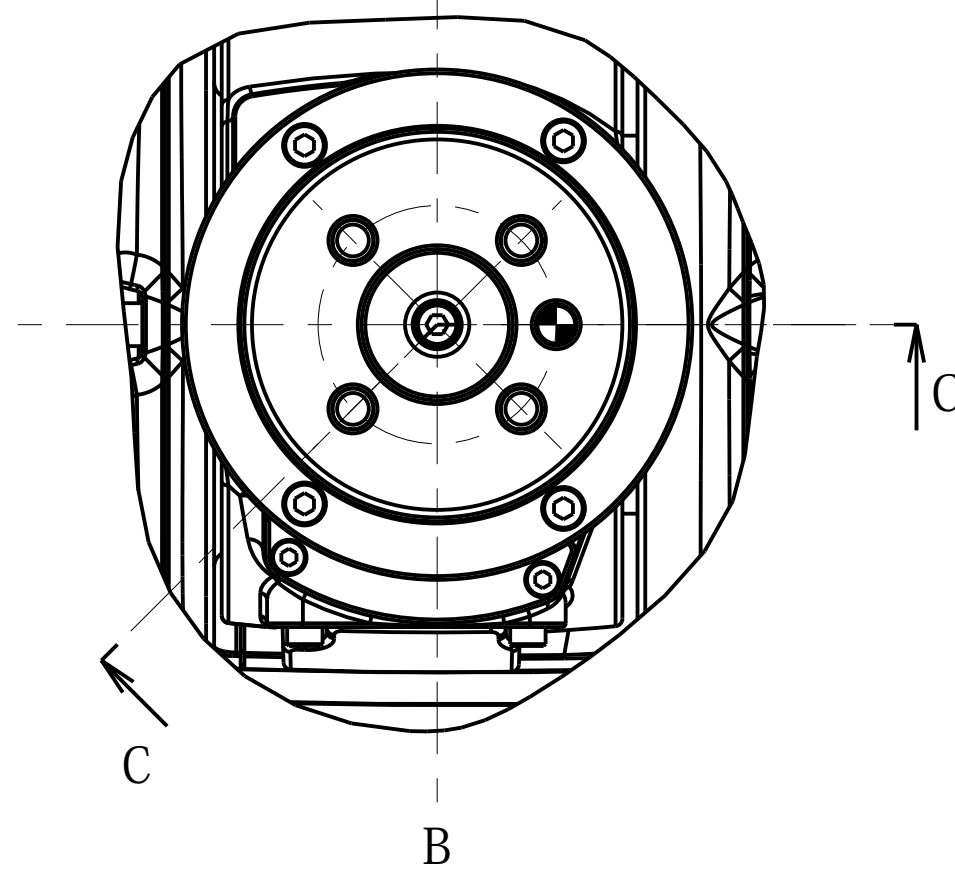
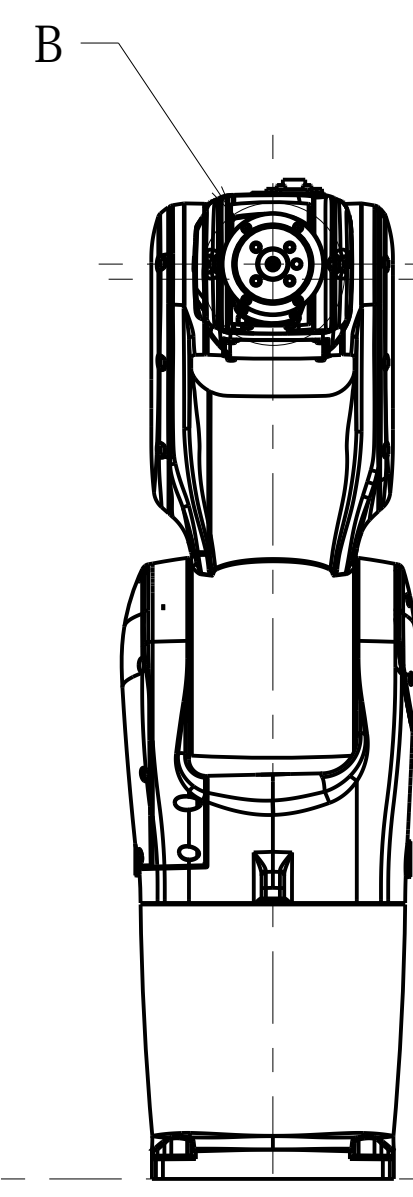
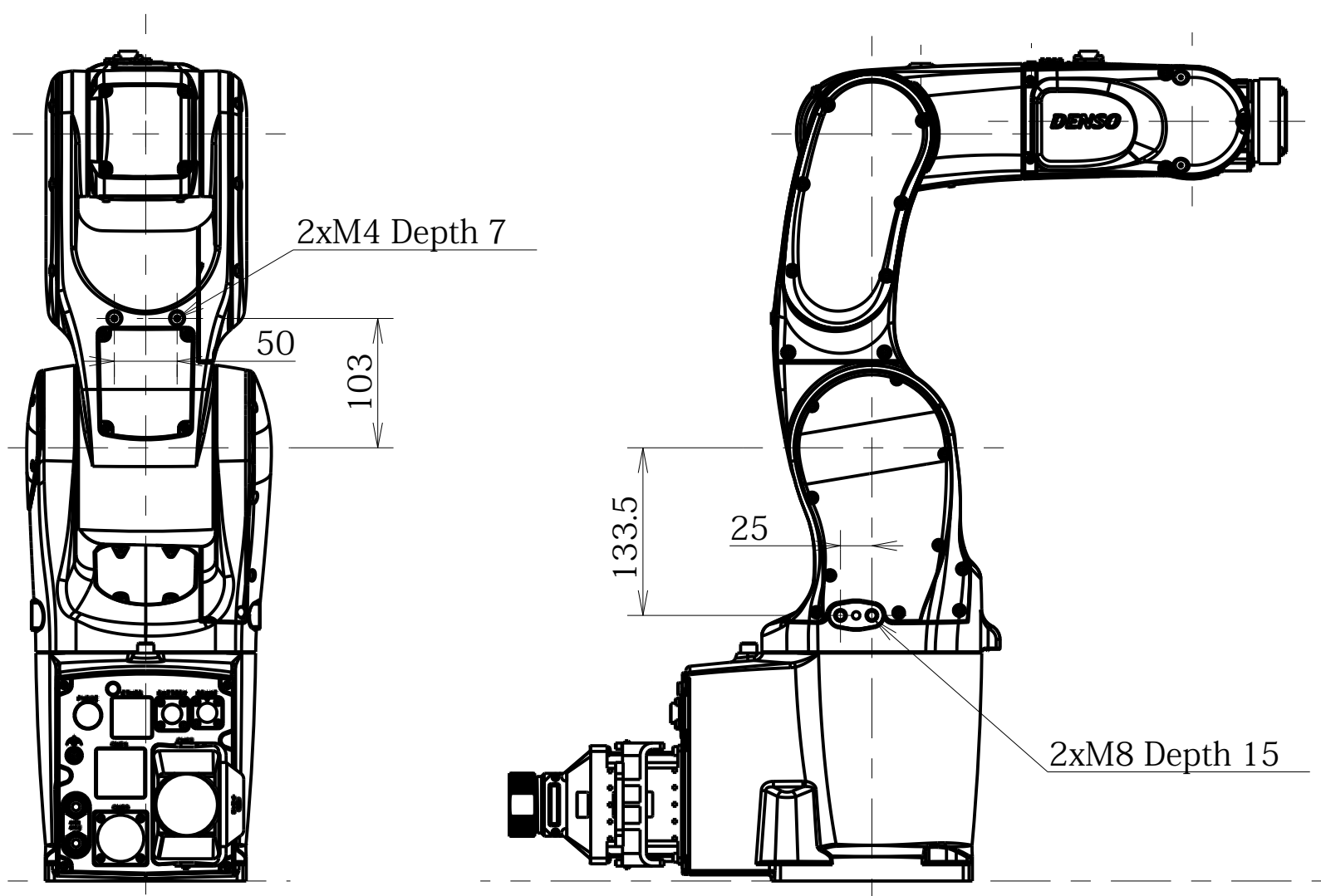
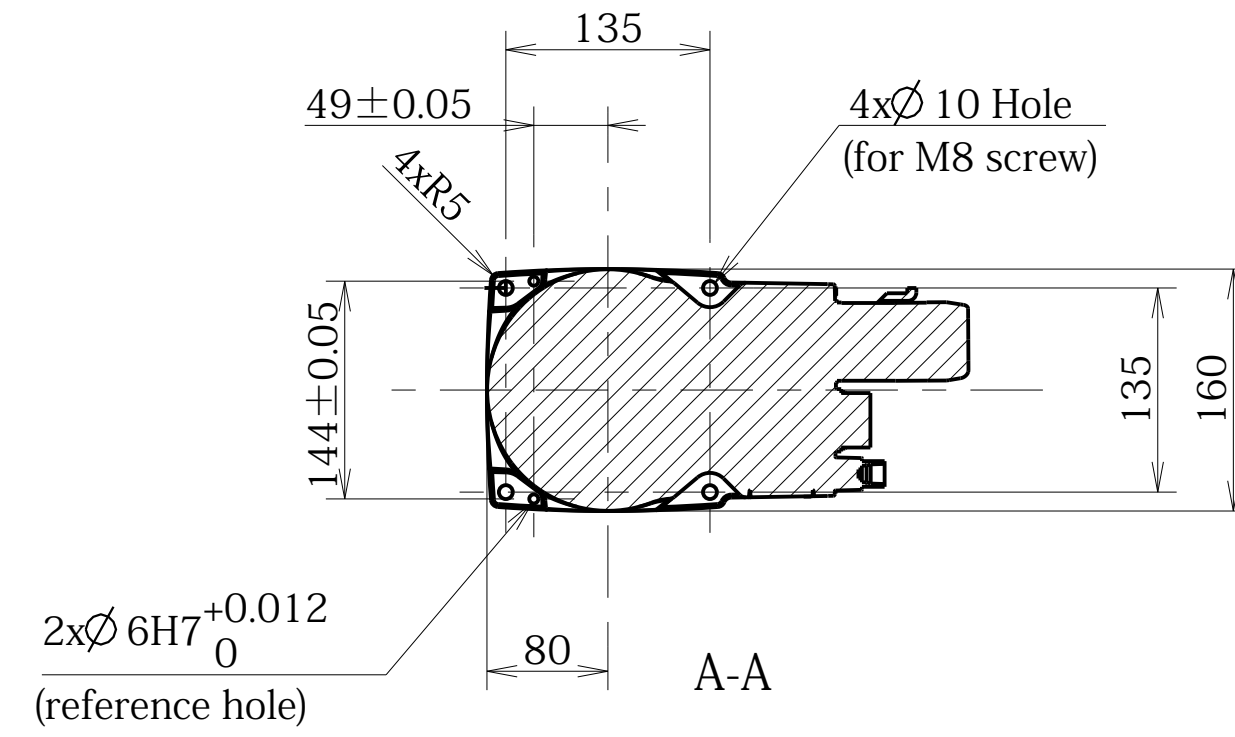


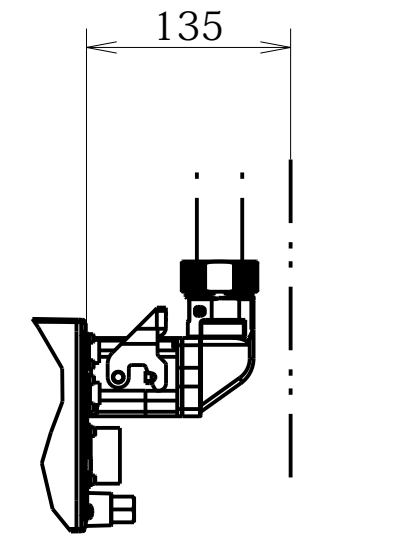
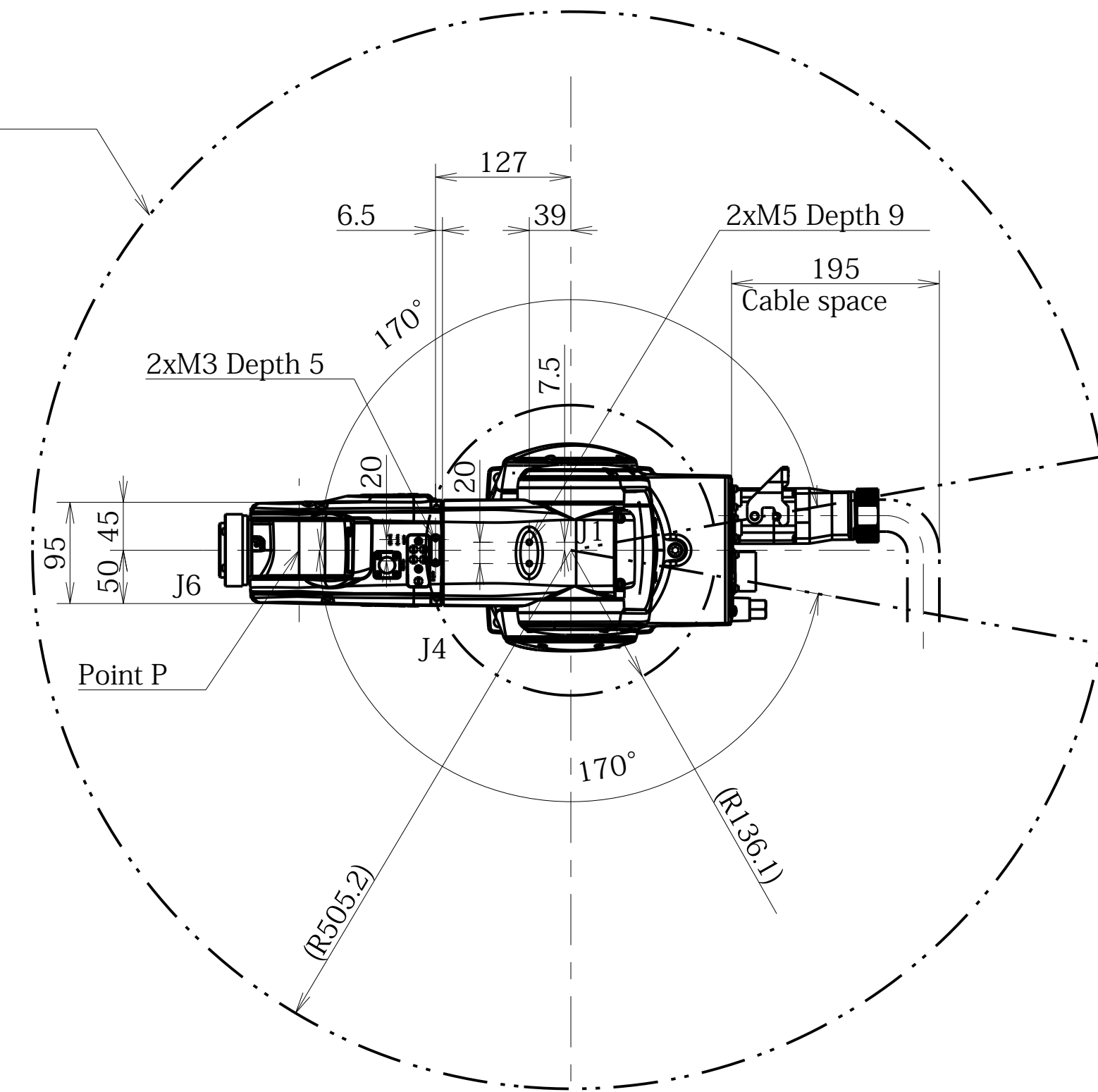
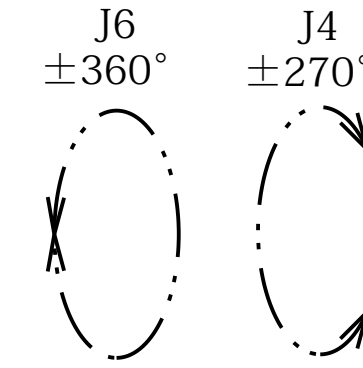
Detailed drawing of end-effector mounting face



Detailed drawing of base mounting face

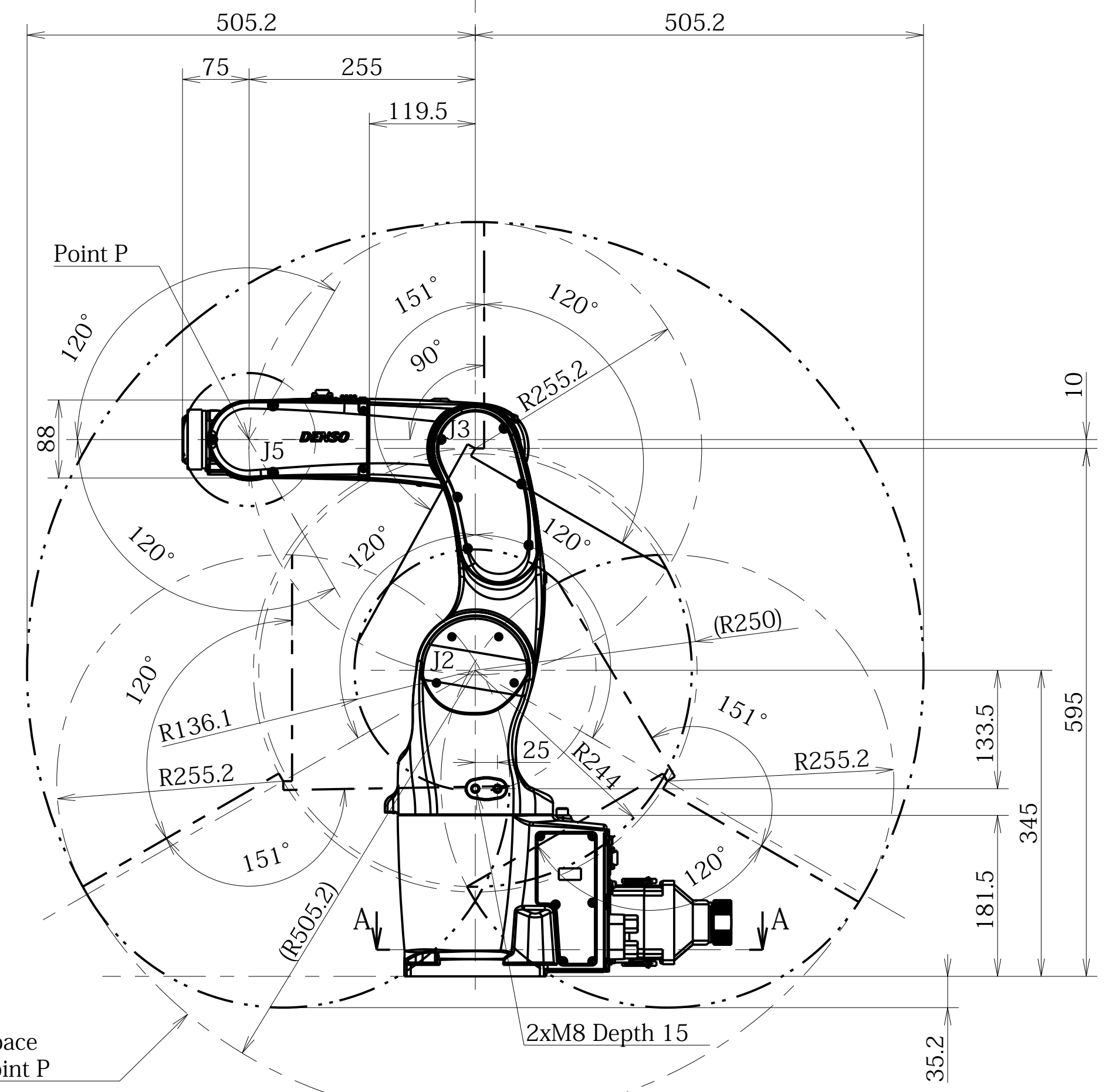


Workable space
 defin by point P



Cable space
 Angle Connector Type

- J1=±170°
- J2=±120°
- J3=+151°, -120°
- J4=±270°
- J5=+120°, -120°
- J6=±360°



Workable space
 defin by point P