

# Robot Stand

No need for intensity calculations and design!  
Highly functional and convenient aluminum stand dedicated for the industrial collaborative robot "COBOTTA".

Optimally designed to ensure intensity and robustness as well as safety, this stand supports all "COBOTTA" functions. Plus, the stand makes it easy to install, assemble and move the robot.



Compatible robots

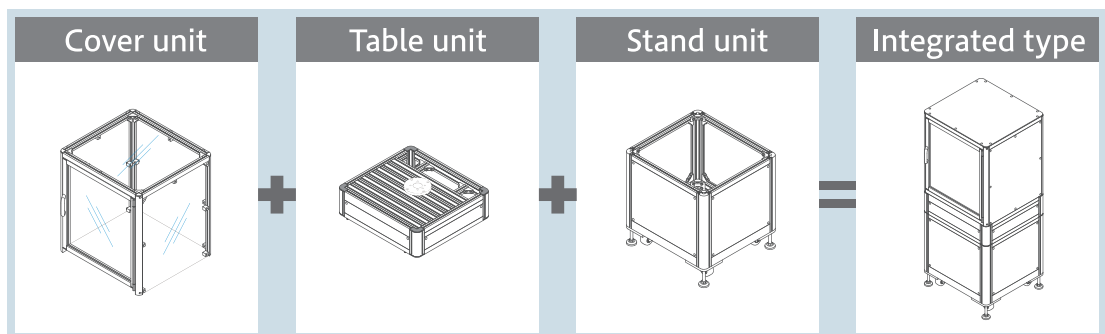
COBOTTA

Scan here for product information details



Features

- Lightweight, anxiety-free, and human-friendly design for robustness and functionality
- Robot base can be installed in any position
- Stand, table, and cover units offered individually  
Select the individual units you need and assemble as required



## NIC Autotec, Inc.

Website

<http://www.nic-inc.co.jp/english/index.html>

Contact us

[tokyo@nic-inc.co.jp](mailto:tokyo@nic-inc.co.jp)

