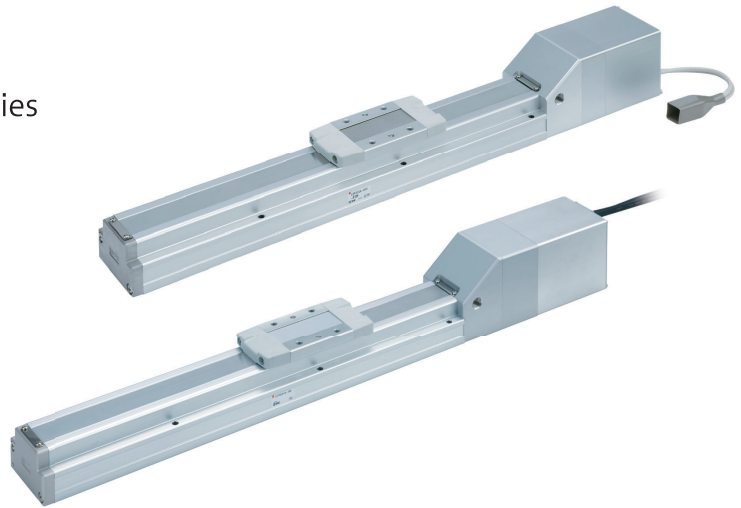


Electric Actuator / Slider Type

LEFS Series (16/25/32/40)

This is a slider type electric actuator.
Ball screw and clean specification (Complies with ISO Class 4) is also available.



Scan here
for product
information
details



Features

- LEFS Series Step Motor (Servo/24 VDC), Servo Motor (24 VDC)
 - Max. work load: 65 kg
 - Positioning repeatability: ± 0.015 mm (high precision type)
 - Clean specification: Complies with ISO Class 4 (ISO14644-1) (11-LEFS)
- LEFS Series AC Servo Motor
 - High output motor (100/200/400 W)
 - Improved high speed transfer ability
 - High acceleration/deceleration (20,000 mm/s²)
 - Pulse input type
 - With internal absolute encoder
 - Positioning repeatability: ± 0.01 mm (high precision type)
 - Clean specification: Complies with ISO Class 4 (ISO14644-1) (11-LEFS)
 - Motorless specification is available

SMC Corporation

Website

<https://www.smcworld.com/en-jp/>

Contact us

<https://www.smcworld.com/contact/en/>

